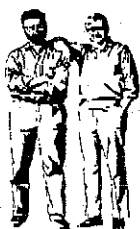


ALLMAND CONTRACTOR Value Added Options:

- **Auxiliary Hydraulic Package** (hydroelectric or manual hydraulic) allows for the use of a variety of hand-held or machine-mounted tools including post hole augers up to 12 inches.
- **Hydraulic Breakers** are powered by the Allmand auxiliary hydraulic package. The hydraulic breaker provides an excellent tool for demolition work.
- **Universal Quick Attach** allows for quick changing of attachments including buckets, forks and other front end tools. Various skid steer attachments may also be utilized.
- **Pallet Forks** (1,100 pound capacity) can be easily attached utilizing the universal quick attach.
- **Enclosed Soft Cab** is easily installed to protect the operator from an unfriendly environment.
- **Swing Speed Control** allows the operator to preselect the desired backhoe swing speed for precise work and operation in confined areas.

Allmand Bros. Inc.—helping build America for more than half a century

Since 1938, Allmand has been making construction sites brighter, warmer, safer and more efficient. All products that bear our name reflect high performance, reliability and a good return on investment. The Allmand Contractor continues that heritage and has quickly established itself as a market leader.



Steve and Roger Allmand. Same family. Same ownership, since 1938.

SPECIFICATIONS

Engine

Gasoline: Kohler Command 25 hp Air-Cooled (TLB 25)
Diesel: Kubota 1105 25 hp Liquid-Cooled (TLB 25D)

Fuel Capacity 6.5 gal. (24.6 L)

Hyd. Reservoir 12 gal. (45.4L)

Transmission Eaton HD Hydrostatic (35 hp rated)

Drive Motor ROKK ME Series (35 hp rated)

Power Steering Eaton Char-Lynn

Differential Dana 44 Limited Slip

Front Drive Gilchrist Hyd. Assist (Opt.)

Aux. Hyd. Output

8 gpm @ 2,500 psi

Front: 23 x 8.5-12

Rear: 31 x 15.5-15

Tires

Single-Lever Power Hydraulic with

Bucket Float

Bucket Capacity: 1/2 cu. yd. (.38 cu. m)

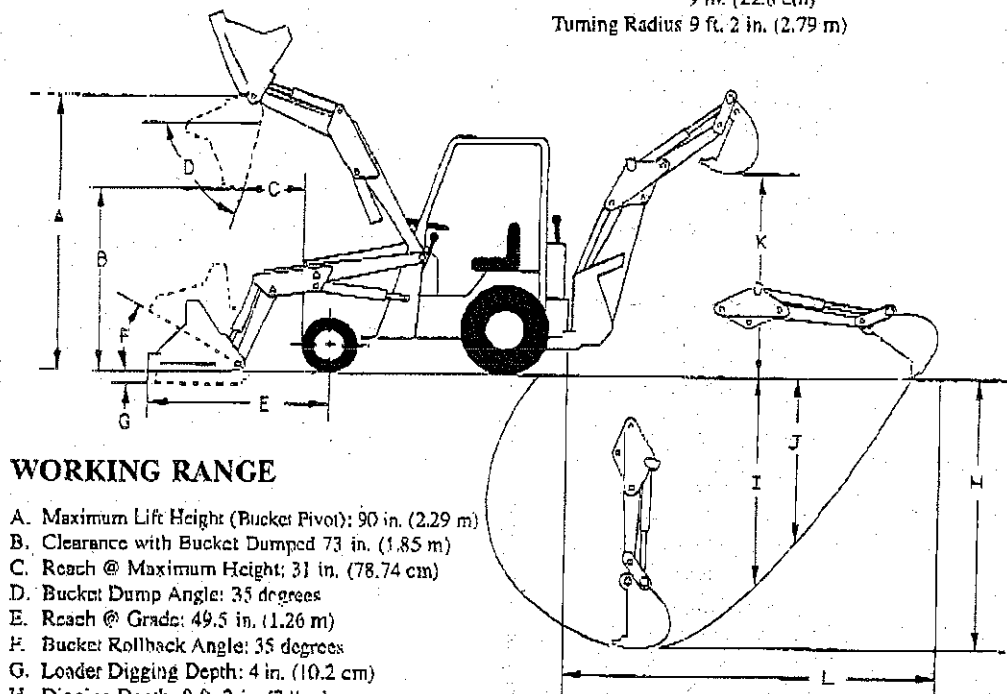
Breakout Force: 3,400 lbs. (1,542 kg)

Lift Capacity: 2,100 lbs. (953 kg)

Loader

Hydrostatic Service Brake

Parking Brake



WORKING RANGE

- A. Maximum Lift Height (Bucket Pivot): 90 in. (2.29 m)
- B. Clearance with Bucket Dumped: 73 in. (1.85 m)
- C. Reach @ Maximum Height: 31 in. (78.74 cm)
- D. Bucket Dump Angle: 35 degrees
- E. Reach @ Grade: 49.5 in. (1.26 m)
- F. Bucket Rollback Angle: 35 degrees
- G. Loader Digging Depth: 4 in. (10.2 cm)
- H. Digging Depth: 9 ft. 2 in. (2.8 m)
(8 ft. 4 in. (2.54 m) 2 ft. flat bottom)
- I. Digging Depth (8 ft. flat bottom): 6 ft. 10 in. (2.08 m)
- J. Straight Wall Digging Depth: 5 ft. 4 in. (1.63 m)
- K. Maximum Loading Height: 7 ft. 3 in. (2.18 m)
- L. Reach from Swing Post: 10 ft. 11 in. (3.33 m)

Backhoe

Digging Force:

3,670 lbs. (1,664 kg) @ Bucket

2,308 lbs. (1,047 kg) @ Dipper

Digging Depth: 9 ft. 2 in. (2.8 m)

(8 ft. 4 in. [2.54 m] 2 ft. flat bottom)

Backhoe

Buckets: 10 in., 12 in. (Std.), 16 in.,

18 in., 24 in., 36 in.

180-degree cushion swing with up to

370 lb. swing torque. Stabilizers

extend to 15 in. below grade.

Removable stabilizer pads.

Transportation Length

13 ft. 2 in. (4.01 m)

Weight

TLB 25 3,460 lbs. (1,569 kg)

TLB 25D 3,760 lbs. (1,705 kg)

OVERALL DIMENSIONS

Length 16 ft. 06 in. (5.03 m)

Height 82 in. (2.08 m)

Width 56 in. (1.42 m)

Wheelbase 64.2 in. (1.63 m)

Bucket Width 56 in. (1.42 m)

Ground Clearance

9 in. (22.8 cm)

Turning Radius 9 ft. 2 in. (2.79 m)

See alphabetical notation at left for working range.

Photos shown may include non-standard equipment. Specifications are subject to change without prior notice.

Sold and serviced by:

Allmand

Allmand Bros. Inc.
P.O. Box 888
Holdrege, NE 68949
800-562-1373
308-995-4495
Fax: 308-995-5887
www.allmand.com