

**ALLMAND CONTRACTOR**  
Value Added Features:

- **5,000 lb Industrial Class Backhoe with 9' 8" (2 ft flat bottom) digging depth** provides 180 degree dual cylinder cushion swing with oversized pins, bushings and cylinders.
- **Ergonomically Designed Operator Area** offers an easy control joystick, hydrostatic drive and custom-designed operator seats.
- **Isuzu 3LD Liquid Cooled 3 Cylinder, 4 Cycle Diesel Engine** generates 33.3 HP (SAE) at 3000 RPM, and provides easy access to key service areas.
- **Universal Quick Attach (optional)** allows for quick changing of attachments including buckets, forks and other front-end tools and skid steer attachments. Backhoe bucket quick attach is also available.
- **Auxiliary Hydraulic Package (optional)** (hydro-electric or manual hydraulic) allows for the use of a variety of hand-held or machine-mounted tools.
- **Operator Designed Backhoe Controls** provide large backhoe feel. Swing speed control allows the operator to preselect the desired backhoe swing speed for precision work.

Allmand Bros. Inc.—  
helping build America for more  
than half a century

Since 1938, Allmand products  
have been making construction  
sites brighter, warmer, safer and  
more efficient. Since that time,  
Allmand products have continually  
evolved to readily meet the needs  
of our valued customers. The  
Allmand Contractor continues  
that heritage and has quickly  
established itself as a market  
leader. All products that bear the  
Allmand name have been  
designed to reflect high perfor-  
mance, reliability and a good  
return on investment.



Steve and  
Roger Allmand.  
Same family.  
Same ownership,  
since 1938.

**ALLMAND CONTRACTOR TLB 35**

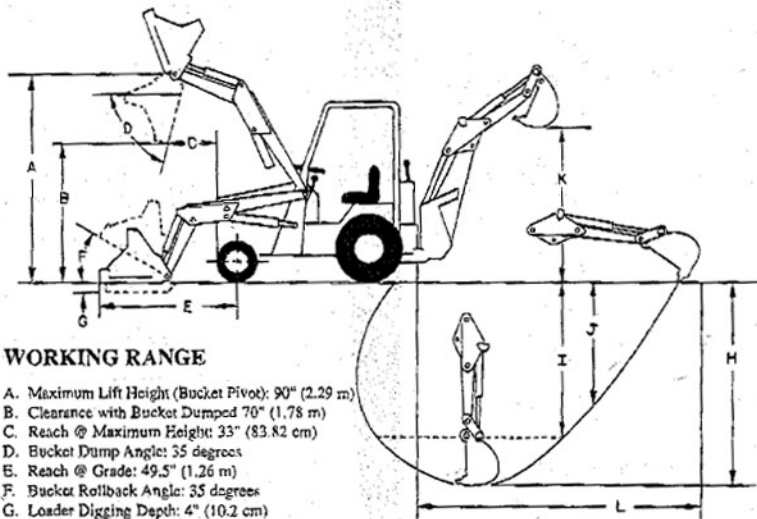
**SPECIFICATIONS**

<b>Engine</b>	Isuzu 3LD 33.3 hp Liquid-Cooled Diesel
<b>Transmission</b>	Eaton HD Hydrostatic (65 hp rated)
<b>Drive Motor</b>	Reiss ME24
<b>Steering</b>	Hydrostatic Power Steering with Balanced Steering Cylinder
<b>Differential</b>	Dana 44 Limited Slip
<b>Front Drive</b>	Gilchrist Hyd. Assist (Optional)
<b>Aux. Hyd. Output</b>	10 gpm @2500 psi
<b>Tires</b>	Front: 23 x 10.5-12 Rear: 31 x 15.5-15
<b>Capacities</b>	Fuel: 6.5 gallons (24.7L) Hyd. Oil: 12 gallons (45.6L)
<b>Loader</b>	Single Lever Power Hydraulic with Bucket Float Bucket Capacity: 1/2 cu. yd. (.38 cu. m) Breakout Force: 3400 pounds (1530 kg) Lift Capacity: 2100 pounds (945 kg)
<b>Brakes</b>	Hydrostatic Service Brake Band Type Parking Brake

<b>Backhoe</b>	Digging Force: 5248 pounds (2362 kg) @ Bucket 2479 pounds (1116 kg) @ Dipper
<b>Backhoe</b>	Buckets: 12" (Std.), 16", 18", 24", 36" 180 degree cushion swing with up to 3700 pound swing torque. Stabilizers extend to 15" below grade. Removable stabilizer pads.
<b>Transportation Length</b>	13' 6" (4.11 m)
<b>Weight</b>	4570 pounds (2057 kg)

**OVERALL DIMENSIONS**

<b>Length</b>	17' 10" (5.43 m)
<b>Height</b>	84.5" (2.15 m) (ROPS)
<b>Width</b>	59" (1.5 m)
<b>Wheelbase</b>	64.2" (1.63 m)
<b>Ground Clearance</b>	11" (27.9 cm)
<b>Turning Radius</b>	9' 02" (2.79 m)



**WORKING RANGE**

- A. Maximum Lift Height (Bucket Pivot): 90" (2.29 m)
- B. Clearance with Bucket Dumped 70" (1.78 m)
- C. Reach @ Maximum Height: 33" (83.82 cm)
- D. Bucket Dump Angle: 35 degrees
- E. Reach @ Grade: 49.5" (1.26 m)
- F. Bucket Rollback Angle: 35 degrees
- G. Loader Digging Depth: 4" (10.2 cm)
- H. Digging Depth (2" Flat Bottom): 9' 8" (2.95 m)
- I. Digging Depth (8" Flat Bottom): 8' 6" (2.59 m)
- J. Straight Wall Digging Depth: 7' 06" (2.29 m)
- K. Maximum Loading Height: 8' 0" (2.4 m)
- L. Reach from Swing Post: 12' 9" (3.89 m)

See alphabetical notation at left for working range.

Photos shown may include non-standard equipment.  
Specifications are subject to change without prior notice.

Sold and serviced by:

**Allmand**

Allmand Bros. Inc.  
P.O. Box 888  
Holdrege, NE 68949  
800-562-1373  
308-995-4495  
Fax: 308-995-5887  
www.allmand.com

Made in USA

93RVC35-2/95