



H300-360XL₂ Mast Dimensions

H300-360XL ₂ MAST DIMENSIONS		in.	(mm)
Maximum Fork Height † (Top of Forks)	Overall Lowered Height	Overall Extended Height	Free-Lift (TOF) W/out Load Backrest Ext.
2-STAGE LIMITED VISTA (No free lift)			
147.5 (3 745)	143.5 (3 645)	215.5 (5 470)	NA
183.0 (4 650)	161.0 (4 090)	251.0 (6 370)	NA
212.5 (5 400)	176.0 (4 465)	280.5 (7 120)	NA
244.0 (6 200)	191.5 (4 865)	312.0 (7 920)	NA
3-STAGE LIMITED FULL FREE-LIFT (FFL) VISTA			
147.5 (3 745)	117.0 (2 972)	219.0 (5 560)	51.5 (1 308)
196.5 (4 990)	133.0 (3 378)	268.0 (6 805)	68.5 (1 740)
243.5 (6 185)	149.0 (3 785)	315.0 (8 000)	83.5 (2 121)
† Lift heights over 244.0" (6 200 mm) max. fork height may require reduced capacity or restricted back tilt.			

CAPACITY

Model H300XL₂ 30,000 lbs. at 24" (13 608 kg at 610 mm)

Model H330XL₂ 33,000 lbs. at 24" (14 968 kg at 610 mm)

Model H360XL₂ 36,000 lbs. at 24" (16 330 kg at 610 mm)

Rated capacities are for trucks equipped with:

- Masts up to 244.0" (6 198 mm) height.
- 98.5" (2 502 mm) carriage with 72" to 96" (1 829 to 2 438 mm) long forks as required.

STANDARD EQUIPMENT

Complete truck is equipped with Perkins 1006.60T low-emissions turbo diesel engine; Hyster 3-speed powershift transmission; planetary

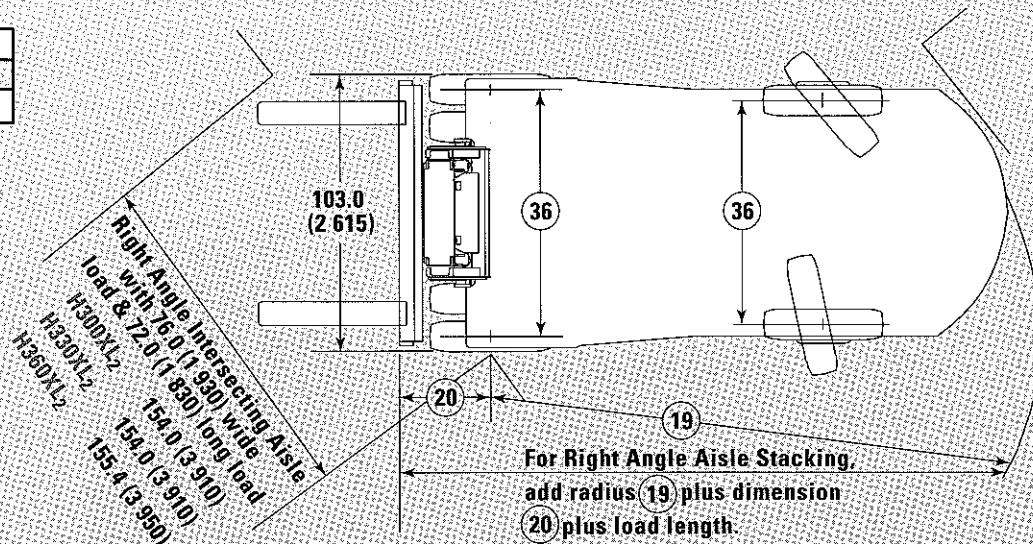
drive axle; 212.5" (5 398 mm) 2-stage no free-lift VISTA mast; 98.5" (2 502 mm) carriage; 72" (1 829 mm) forks; air brakes; overhead exhaust; Protecto-Seal fuel cap; MONOTROL® pedal; semi-suspension seat; tilt steering wheel; side view mirrors; horn; operator restrain system; overhead guard; operating manual; and UL Classification D.

Optional equipment: GM LPG engine; truck cab w/ electric wipers; windshield washers front, rear & top; heater & defroster; additional circulation fan; tinted glass; floor mats & dome light; full-suspension vinyl or fabric (*cab only*) cover seat; variable mast tilt; light groups; valve and hose groups; integral sideshift; autoshift; 3-speed transmission; integral sideshifting fork positioner; hand-lever directional control; forks; and tires.



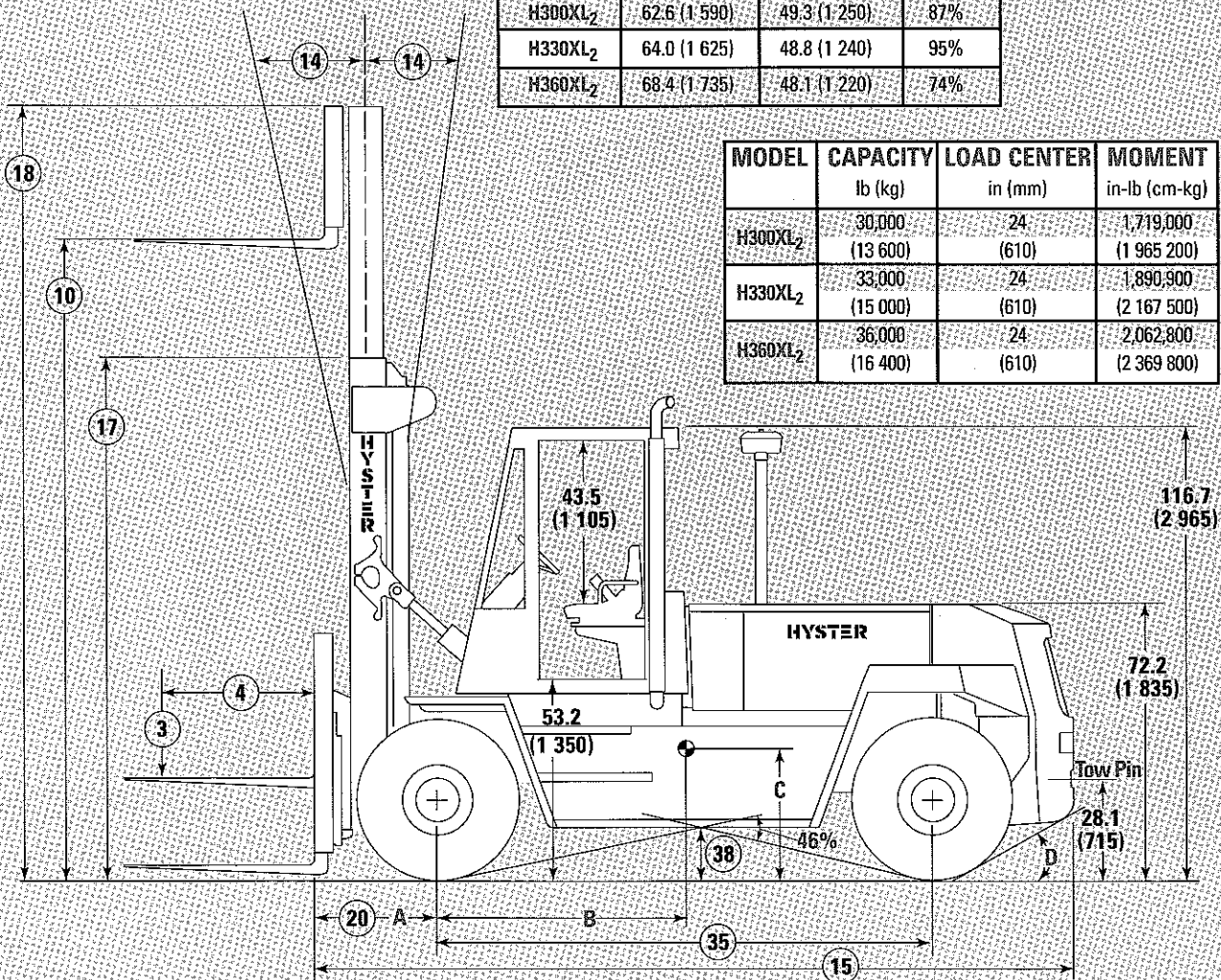
H300-360XL₂ Lift Truck Specifications

CARRIAGE	A
STANDARD	33.3 (845)
SIDESHIFT	35.3 (895)



MODEL	B	C	D
H300XL ₂	62.6 (1 590)	49.3 (1 250)	87%
H330XL ₂	64.0 (1 625)	48.8 (1 240)	95%
H360XL ₂	68.4 (1 735)	48.1 (1 220)	74%

MODEL	CAPACITY	LOAD CENTER	MOMENT
	lb (kg)	in (mm)	in-lb (cm-kg)
H300XL ₂	30,000 (13 600)	24 (610)	1,719,000 (1 965 200)
H330XL ₂	33,000 (15 000)	24 (610)	1,890,900 (2 167 500)
H360XL ₂	36,000 (16 400)	24 (610)	2,062,800 (2 369 800)



Circled dimensions correspond to the line numbers on the tabulated chart inside the Technical Guide.
Dimensions are in inches (millimeters).