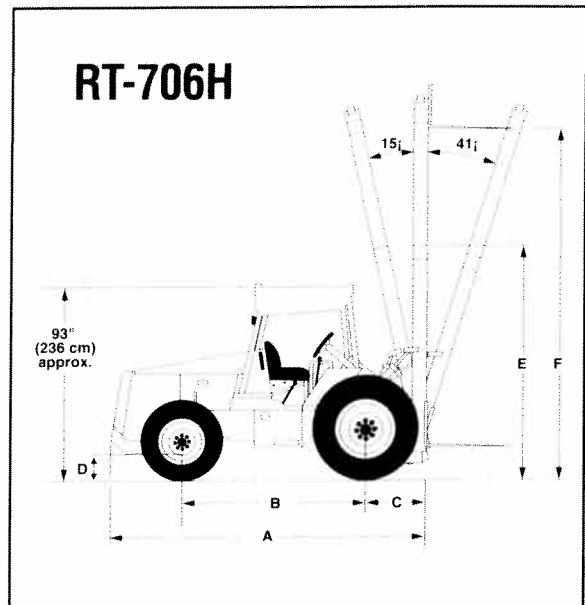


# Ingersoll-Rand

## RT-706H Specifications

### Specifications

Overall length	<b>A</b>	158 in.	(401 cm)
Wheelbase	<b>B</b>	84 in.	(213 cm)
Reach: drive axle to carriage face	<b>C</b>	34 in.	(87 cm)
Ground clearance	<b>D</b>	9 in.	(23 cm)
Overall width		84 in.	(213 cm)
Tread width drive tires		65 in.	(165 cm)
Tread width steering tires	2 WD	69 in.	(175 cm)
	4 WD	71 in.	(180 cm)
Curb Turning radius	2 WD	161 in.	(409 cm)
	4 WD	165 in.	(419 cm)
Steering wheel turns stop to stop	2 WD	4	
	4 WD	4	
Operating weight without a mast	2 WD	9,400 lb.	(4,264 kg)
	4 WD	9,690 lb.	(4,395 kg)



### Masts

RT-706H	15 ft. Multiview		22 ft. Multiview		22 ft. Freelift	
	U.S.	Metric	U.S.	Metric	U.S.	Metric
Max. fork ht.	180 in.	457 cm	264 in.	671 cm	264 in.	671 cm
Type	2 stg roller	2 stg roller	3 stg roller	3 stg roller	3 stg roller	3 stg roller
Capacity @ 24 in. LC (lb. to ft. / kg to m)	6,000 to 15	2,727 to 4.57	6,000 to 15	2,727 to 4.57	6,000 to 15	2,727 to 4.57
Mast tilt Forward	41°	41°	41°	41°	41°	41°
Back	15°	15°	15°	15°	15°	15°
Lowered ht.—Vert.-E	127 in.	323 cm	127 in.	323 cm	127 in.	323 cm
Lowered ht.—41° tilt-F	103 in.	262 cm	103 in.	262 cm	103 in.	262 cm
Lift speed @ 2500 rpm	140 ft./min.	43 m/min.	150 ft./min.	46 m/min.	125 ft./min.	38 m/min.
Free lift	0 in.	0 cm	0 in.	0 cm	91 in.	231 cm
Mast side shift	±3 in.	±76 mm	±3 in.	±76 mm	±3 in.	±76 mm

*Handwritten notes:*  
12/9/02  
22 ft.  
11.5  
59"

# RT-706 Specifications

## ENGINE:

Cummins 4B3.9 Diesel	Direct injection
4 Cylinder	239 cu in. (3,917 cu cm)
Horsepower	80 hp (Gross)
Max torque @ 1,200 RPM	201 ft lb. (272 N.M)

## TRANSMISSION:

2-WD & 4-WD	Three-speed powershift transmission, single stage torque converter with foot operated dump, operator engaged steering axle drive.
-------------	---

## DRIVE AXLE:

Inboard planetary with dual, hydraulically operated, wet disc brakes.

## STEER AXLE:

2-Wheel Drive	Heavy duty industrial axle
4-Wheel Drive	Heavy duty outboard planetary

## STEERING:

Hydrostatic power steering with load sensing orbital steering valve.

## TIRES: (STANDARD)

Steer tires	4-Wheel Drive	12 x 16.5 NHS (10 PR)
	2-Wheel Drive	11L x 16 (12PR) F3
Drive tires		16.9 x 24 (10 PR) R4

## ELECTRICAL:

Negative ground	12 Volt
Battery	900 CCA
Back-up alarm	107 dBA
Alternator	61 Amp

## SYSTEM CAPACITIES:

Cooling		20 qts.	(19 liters)
Crank case		11 qts.	(10 liters)
Transmission	2-Wheel Drive	18 qts.	(17 liters)
	4-Wheel Drive	14 qts.	(13 liters)
Drive axle		9 qts.	(8 liters)
Steering Axle	4-Wheel Drive only	9 qts.	(8 liters)
Fuel tank		21 gal.	(79 liters)
Hydraulic system		21 gal.	(79 liters)

## HYDRAULIC SYSTEM:

Gear type pump	20.8 gpm. (78 l/min) @ 2,500 rpm
Flow divider	6 gpm. (23 l/min), integral
Return line filter	10 micron, spin-on element
Control valve	3 spool, 3,000 psi

## OPTIONS

- Auxiliary hydraulic control
- All weather cab complete with front wiper
- Cab options: floor mat, dome light, heater, defroster, rear wiper, inside rear view mirror
- Vandal protection package
- 110/120 volt engine block heater
- Full gauge instrument panel
- Road lighting package: work, turning signals, 4-way flashers
- Work lighting package: 2 front and 1 rear work lights

Nothing contained in this brochure is intended to extend any warranty or representation, expressed or implied, regarding the products described herein. Any such warranties or other terms and conditions of sale for such products, shall be in accordance with Ingersoll-Rand's standard terms and conditions of sale for such products, which are available upon request.



CERTIFIED ISO 9001



**Ingersoll-Rand Company**

Road Machinery  
312 Ingersoll Drive  
Shippensburg, PA 17257

[www.road-development.irco.com](http://www.road-development.irco.com)