

PB101



Description

The Box 50A 125/250 Volt Temporary Portable Power Distribution Center w/ 6 L5-20R Locking GFCI Protected Outlets and One L6-30R Locking Non-GFCI Protected Outlet - Yellow

Product Features

Color: Yellow



Grounding: GFCI Grounding

Feature: Locking Receptacles

Power Center Rating: 50A 125/250 Volt

Power Inlet: 50A 125/250 Volt 3P 4W, Grounding Non-NEMA

Feed-Through Outlet: 50A 125/250 Volt 3P 4W, Grounding Non-NEMA

20 Amp Outlets: 6 L5-20R Locking GFCI Protected

30 Amp 250V Outlet: One L6-30R Locking Non-GFCI Protected

Housing Material: Reinforced Metal

Housing Rating: UL Listed for Outdoor Use

Color: Yellow

Standards and Certifications: UL CSA OSHA

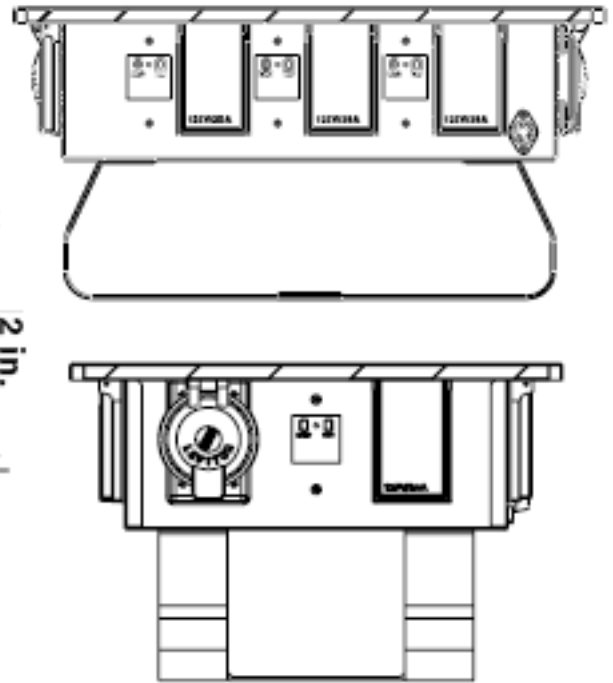
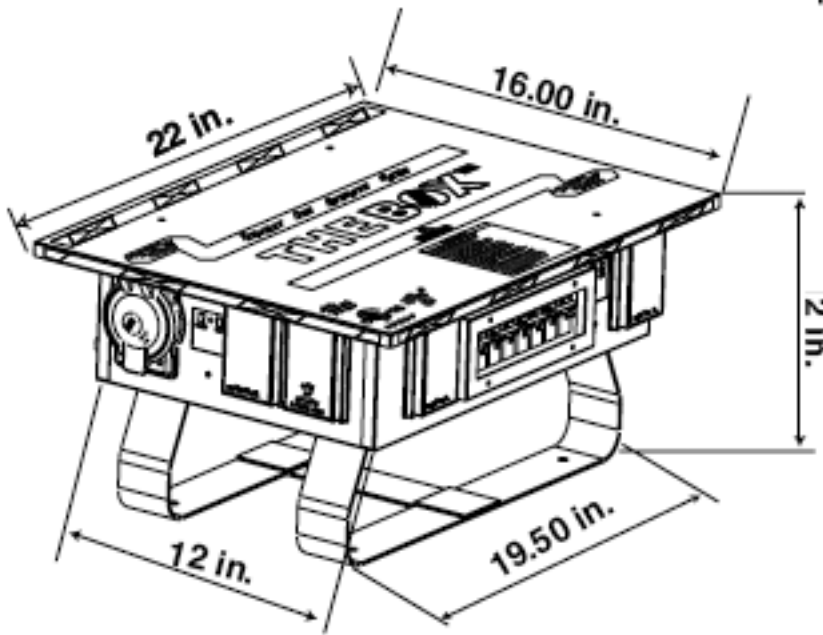
Warranty: 1-Year Limited

Features and Benefits

- Meets OSHA Regulation 20, Part 1926, Subpart K standards for open-neutral GFCI protection and circuit overload protection
- UL Listed for outdoor use
- Weatherproof covers prevent nuisance tripping; prevent moisture from entering contacts
- Available in 20 Amp straight blade or 20 Amp locking versions
- Features one 50 Amp 125/250 volt supply inlet and one 50 Amp 125/250 volt outlet for feed-through applications; also includes one 30 Amp 250 volt locking receptacle
- Offers clear porthole panel for easy viewing of circuit breakers
- Individual circuit breakers offer overload protection to 20 Amp receptacles
- Sturdy reinforced metal housing and legs withstand abuse
- Available in high visibility yellow
- Backed by Leviton's One Year Limited Warranty

Electrical Specifications	
Grounding	GFCI Grounding
Power Center Rating	50A 125/250 Volt
Material Specifications	
Housing Material	Reinforced Metal
Color	Yellow
Standards and Certifications	
NEMA	WD-6
ANSI	C-73
UL Listed	E-48380
CSA C22.2	File LR-57811
OSHA	Reg 20, Part 1926, Subpart K for open-neutral GFCI
NOM	057

Environmental Specifications	
Housing Rating	UL Listed for Outdoor Use
Mechanical Specifications	
Power Inlet	50A 125/250 Volt 3P 4W, Grounding Non-NEMA
Feed-Through Outlet	50A 125/250 Volt 3P 4W, Grounding Non-NEMA
20 Amp Outlets	6 L5-20R Locking GFCI Protected
30 Amp 250V Outlet	One L6-30R Locking Non-GFCI Protected



SPECIFICATION SUBMITTAL

JOB NAME:	CATALOG NUMBERS:	
<input type="text"/>	<input type="text"/>	<input type="text"/>
JOB NUMBER:	<input type="text"/>	<input type="text"/>

Leviton Manufacturing Co., Inc.

59-25 Little Neck Parkway, Little Neck, NY 11362-2591

Telephone: 1-800-323-8920 · FAX: 1-800-832-9538 · Tech Line (8:30AM-7:30PM E.S.T. Monday-Friday): 1-800-824-3005

Leviton Manufacturing of Canada, Ltd.

165 Hymus Boulevard, Pointe Claire, Quebec H9R 1E9 · Telephone: 1-800-469-7890 · FAX: 1-800-824-3005

Leviton S. de R.L. de C.V.

Lago Tana 43, Mexico DF, Mexico CP 11290 · Tel.: (+52)55-5082-1040 · FAX: (+52)5386-1797 · www.leviton.com.mx

Visit our Website at: www.leviton.com

©2007 Leviton Manufacturing Co., Inc. All rights reserved. Subject to change without notice.

