

KX Series

Specifications

KX040-4

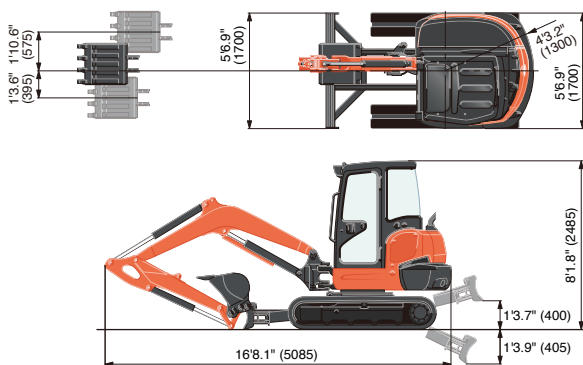


Model		KX040-4		KX040-4 Angle Blade	KX040-4 6-in-1 Blade	
Type of ROPS / OPG (Top Guard Level I)*		Canopy / Cab				
Type of tracks		Rubber / Steel				
Engine	Model	Kubota D1803-CR-TE4				
	Output (SAE J1995 gross)	HP (kW) / rpm	4 4 (3 3) / 2200			
	Output (SAE J1349 net)	HP (kW) / rpm	H .9 (G 7) / 2200			
	Displacement	cu. in. (cc)	111.4 (1826)			
Dimensions	Overall length	ft. in. (mm)	16'8.1" (5085)			
	Overall height	Canopy / Cab	ft. in. (mm)			
	Overall width	ft. in. (mm)	5'6.9" (1700)	5'10.9" (1800)		
	Min. ground clearance	in. (mm)	12.99" (330)			
Hydraulic system	Pump capacity	GPM (ℓ/min)	24.4 (92.4)			
	Auxiliary hydraulic flow	AUX1 / AUX2	GPM (ℓ/min)			
	Max. breakout force	Bucket / Arm	lbf. (kgf)			
Drive system	Travel speed	Low / High	mph (km/h)			
	Max. traction force	Low speed	lbf. (kgf)			
	Tumbler distance	ft. in. (mm)	5'7.3" (1710)			
	Crawler length	ft. in. (mm)	7'1.6" (2175)			
	Shoe width	ft. in. (mm)	1'1.8" (350)			
	Ground contact pressure	Rubber	Canopy / Cab	psi (kPa)	4.53 (31.2) / 4.68 (32.3)	
		Steel	Canopy / Cab	psi (kPa)	4.61 (31.8) / 4.76 (32.8)	
Swing system	Unit swing speed	rpm		9.2		
	Boom swing angle	Left / Right	degree		70 / 55	
Blade	Dimensions	Width	ft. in. (mm)	5'6.9" (1700)	5'10.9" (1800)	
		Height	ft. in. (mm)	1'1.8" (350)	1'3.2" (385)	
	Max. lift above ground	ft. in. (mm)	1'3.7" (400)	1'4.5" (420)	1'4.9" (430)	
	Max. drop below ground	ft. in. (mm)	1'3.9" (405)	1'8.1" (510)	1'8.9" (530)	
	Angle	Left / Right	degree		25 / 25	
Tilt		degree		-		
Hydraulic oil (Reservoir / System)		gal (ℓ)		11.1 (42) / 19.6 (74)		
Fuel reservoir		gal (ℓ)		16.9 (64)		
Operating weight (Including operator's weight @ 175 lbs.)	Rubber	Canopy / Cab	lbs. (kg)	9195 (4170) / 9500 (4310)	9545 (4330) / 9855 (4470)	
	Steel	Canopy / Cab	lbs. (kg)	9350 (4240) / 9655 (4380)	9700 (4400) / 10010 (4540)	
				10050 (4560) / 10360 (4700)		

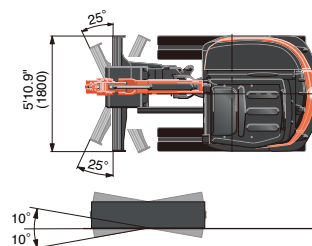
* OPG (Top Guard Level I) in accordance with ISO10262 is equivalent in definition to FOPS (Falling Object Protective Structure).

The company reserves the right to change the above specifications without notice. This brochure is for descriptive purposes only. Please contact your local Kubota dealer for warranty information. For your safety, Kubota strongly recommends the use of a Rollover Protective Structure (ROPS) and seat belt for almost all applications.

DIMENSIONS



6-in-1 Blade



Angle Blade

