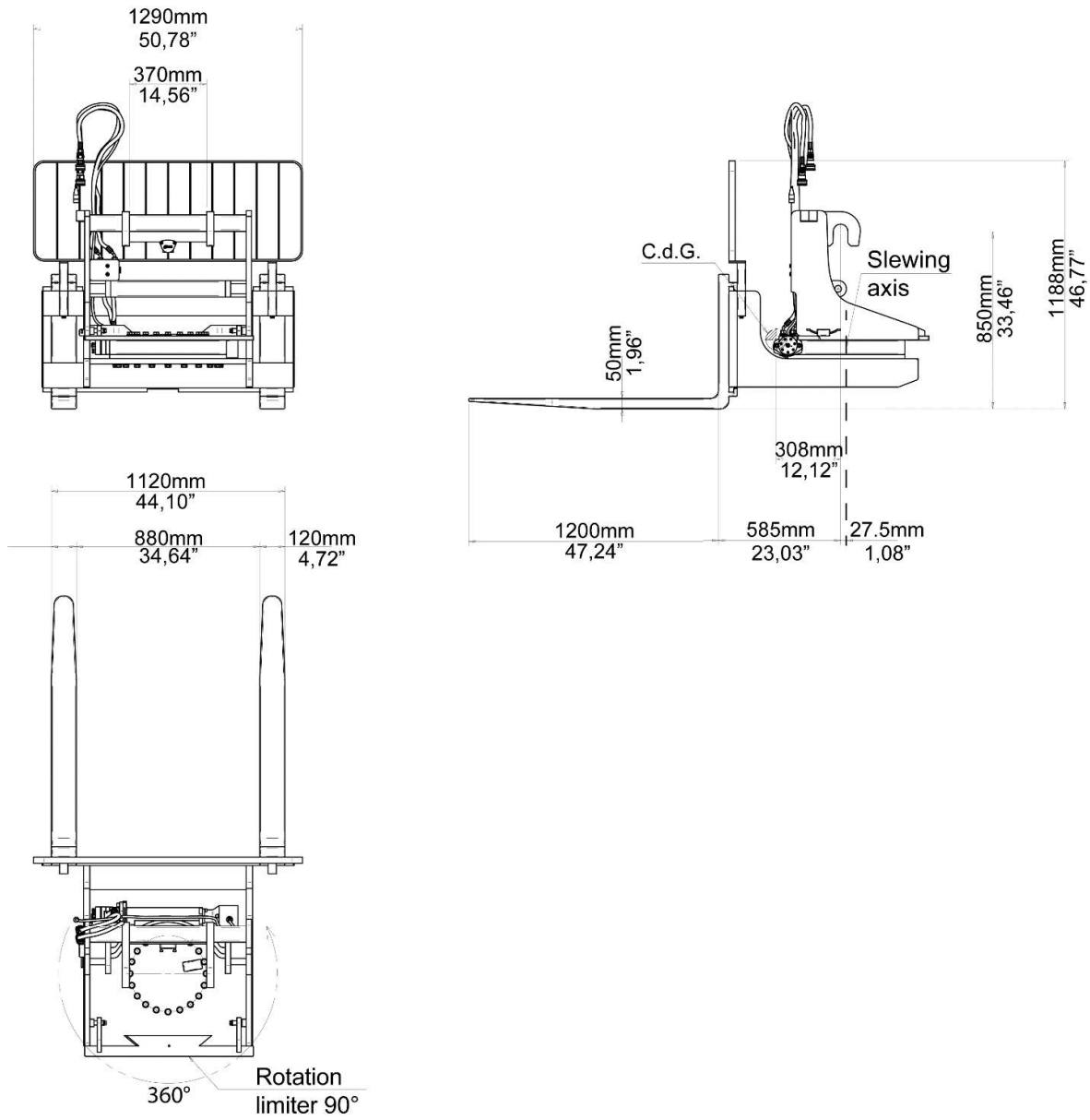


# Dimensionale RFC 2,5 I - p.n.23771



<b>Unladen weight</b>	<b>740 kg / 1,630 lbs</b>
<b>Load capacity</b>	<b>2,500 kg / 5,510 lbs</b>
<b>Maximum hydraulic operating pressure</b>	<b>260 bar / 3,820 lbs</b>