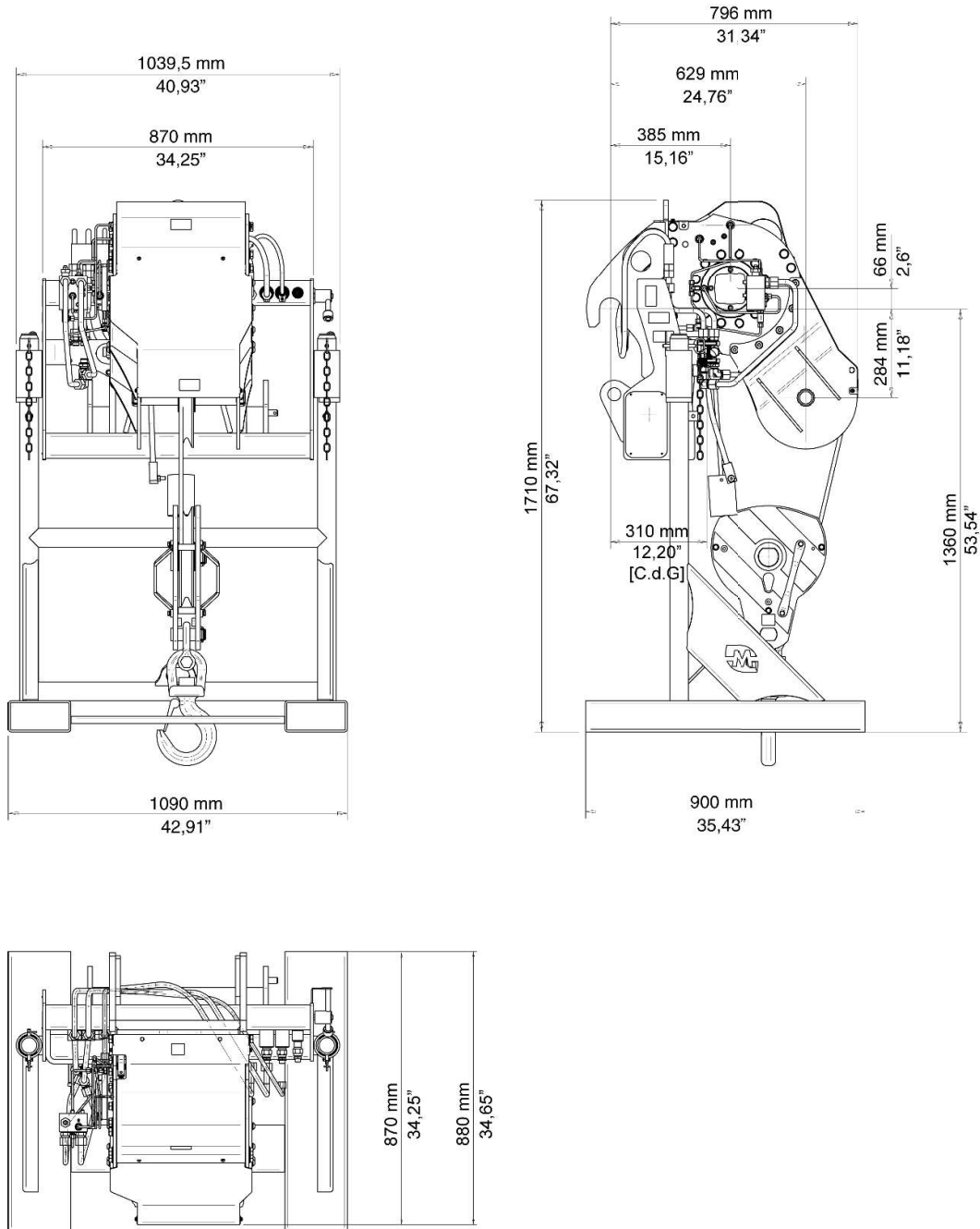


Sizes

W 6 I - p.n.16900



Technical data

| | |
|------------------------------|-----------------------|
| Unladen weight | 560 kg / 1235 lbs |
| Nominal loading capacity | 6,000 kg / 13,200 lbs |
| Hydraulic operating pressure | 250 bar / 3,626 psi |
| Gearmotor oil capacity: | 0.8 l / 0.2 US gal |
| Rope length: | 58 m / 190.29 ft |
| Rope diameter: | 12 mm / 0.47" |