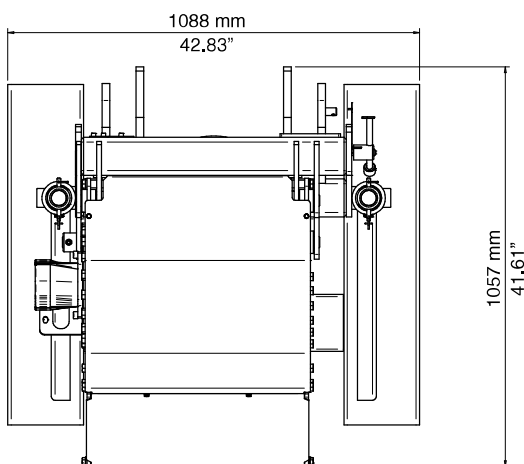
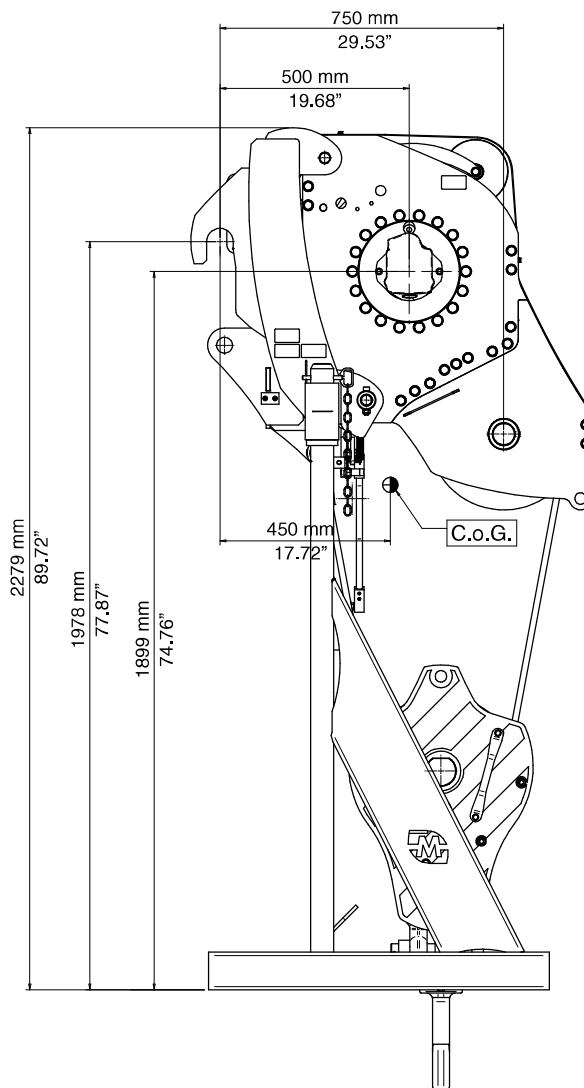
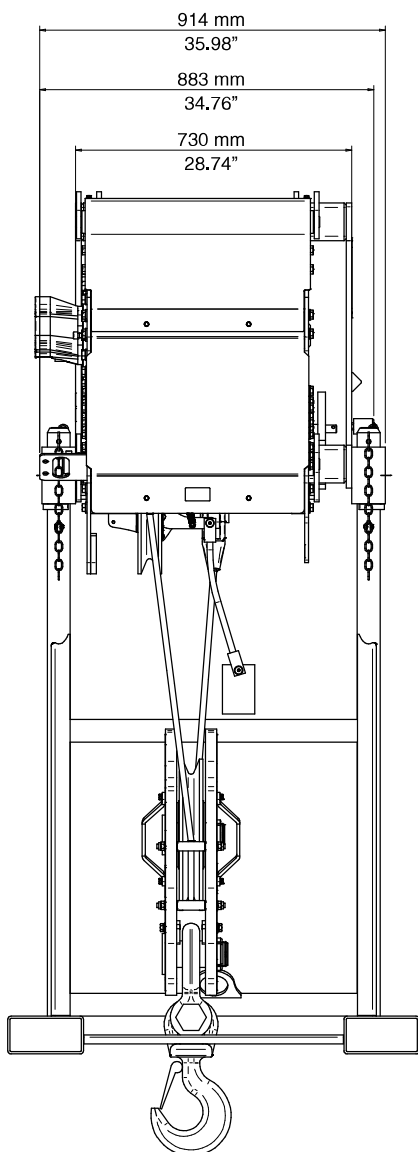


TECHNICAL FEATURES AND LOAD CHARTS

Winch W 8 I - P.N. 47917 - "I" coupling



Weight without load	1010 kg	2227 lb
Rated load	8000 kg	17637 lb
Operating pressure	250 bar	3.626 psi
Gear motor oil capacity	1.4 l	0,37 gal US
Rope diameter (∅)	16 mm	0,63"
Rope length	88 m	288,7 ft