

SVL Series

Specifications

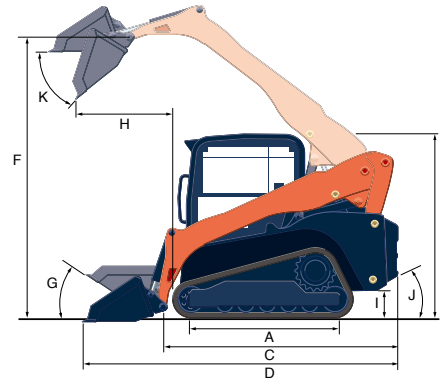
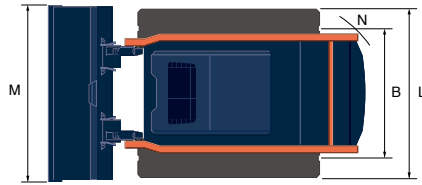
SVL95-2



Model				SVL95-2s
Type of operator station				Open CAB / Closed CAB
Engine	Model			V3800-TIEF4
	Output (SAE J1995 gross)		HP (kW)/rpm	96.4 (71.9)/2400
	Output (SAE J1995 net)		HP (kW)/rpm	95.0 (70.8)/2400
	Displacement		cu.in. (cc)	230.0 (3769)
	Cylinders			4
	Bore × Stroke			3.94 (100) × 4.72 (120)
	Aspiration			Turbocharged
Loader performance	Rated operating capacity-35% tipping load			lbs. (kg)
				3200 (1451)
	Tipping load			lbs. (kg)
				9143 (4147)
	Breakout force	Bucket	lb. (kg)	7961 (3611)
		Lift arm	lb. (kg)	6742 (3058)
	Lift arm path			Vertical
Undercarriage	Track rollers (per side)			5
	Track ground contact length			65.6 (1667)
	Track Width	Standard	in. (mm)	17.7 (450)
		Wide	in. (mm)	N/A
	Ground pressure	Standard	psi	4.4 / 4.5
		Wide	psi	N/A
	Travel speed	Low	mph (km/h)	5.0 (8.0)
		High	mph (km/h)	7.3 (11.7)
	Traction force			lbs. (kg)
				12178 (5524)
	Min. ground clearance			in. (mm)
				11.5 (293)
Hydraulic system	Aux. hydraulic flow	Std./High	gpm (ℓ /min.)	23.1 (87.6) / 40.0 (152)
	Aux. hydraulic pressure			psi (kgf/cm ²)
				3553 (249.8)
Service refill capacities	Hydraulic system			gal. (ℓ)
				17.96 (68)
	Hydraulic tank			gal. (ℓ)
				10.1 (38.1)
	Fuel tank			gal. (ℓ)
				28.8 (109)
	DEF tank			gal. (ℓ)
				5.0 (18.8)
Operating weight (Includes operator weight 165 lbs.)			lbs. (kg)	11299 (5125) / 11574

The company reserves the right to change the above specifications without notice. This brochure is for descriptive purposes only. Please contact your local Kubota dealer for warranty information. For your safety, Kubota strongly recommends the use of a Rollover Protective Structure (ROPS) and seat belt in almost all applications.

DIMENSIONS



Model			SVL95-2s
A	Length of track on ground	in. (mm)	65.6 (1667)
B	Track gauge	in. (mm)	59.5 (1512)
C	Length w/o bucket	in. (mm)	123.5 (3137)
D	Length w/bucket on ground	in. (mm)	154.6 (3929)
E	Height to top of cab	in. (mm)	83.3 (2116)
F	Bucket hinge pin height at max. lift	in. (mm)	128.5 (3264)
G	Rollback angle at carry position	in. (mm)	27
H	Reach at max. lift and dump	in. (mm)	40.7 (1035)
I	Ground clearance	in. (mm)	11.5 (293)
J	Departure angle	in. (mm)	31
K	Max. dump angle	in. (mm)	43
L	Vehicle width	in. (mm)	77.2 (1962)
M	Width with bucket	in. (mm)	80 (2032)
N	Turning radius from center-machine rear	in. (mm)	127 (3220)