

CORE ELECTRIC



INDUSTRIAL EQUIPMENT

REACH NEW HEIGHTS

3000 - 6500 LBS.

SPECIFICATIONS



7FBCU15-18 | 8FBCU20-32 | 8FBCU20-25-COMP | 8FBCHU25

CLASS

1

ELECTRIC MOTOR RIDERS

ToyotaForklift.com

GENERAL DATA				8FBCU20		8FBCU20-COMP		8FBCU25		8FBCU25-COMP	
Load Capacity		lb (kg)		4000 (2000)		4000 (2000)		5000 (2500)		5000 (2500)	
Power Type (battery)	Voltage	V		36	48	36	48	36	48	36	48
Battery Compartment Length		in		30.5		27.4		30.5		27.4	
Operator Position				Seated Rider		Seated Rider		Seated Rider		Seated Rider	
Tire Type	Front / Rear			Cushion / Cushion		Cushion / Cushion		Cushion / Cushion		Cushion / Cushion	
Wheels (x = driven)	Front / Rear			2x / 2		2x / 2		2x / 2		2x / 2	
EXTERIOR DIMENSIONS				8FBCU20		8FBCU20-COMP		8FBCU25		8FBCU25-COMP	
A	Maximum Fork Height (top of forks)	in (mm)		131.5 (3340)		131.5 (3340)		131.5 (3340)		131.5 (3340)	
B	Free-Lift (top of forks)	in (mm)		6.1 (155)		6.1 (155)		6.1 (155)		6.1 (155)	
C	Fork Size (T x W x L)	in (mm)		1.6 x 5 x 42 (40 x 125 x 1070)		1.6 x 5 x 42 (40 x 125 x 1070)		1.6 x 5 x 42 (40 x 125 x 1070)		1.6 x 5 x 42 (40 x 125 x 1070)	
D	Tilt Range (forward / backward)	deg		6 / 8		6 / 8		6 / 8		6 / 8	
E	Length to Fork Face	in (mm)		81.5 (2170)		79.9 (2030)		84.3 (2140)		82.7 (2100)	
F	Overall Width	in (mm)		41.9 (1065)		41.9 (1065)		41.9 (1065)		41.9 (1065)	
G	Mast Lowered Height	in (mm)		83.3 (2115)		83.3 (2115)		83.3 (2115)		83.3 (2115)	
H	Mast Extended Height (top of load backrest)	in (mm)		179.5 (4560)		179.5 (4560)		179.5 (4560)		179.5 (4560)	
I	Overhead Guard Height	in (mm)		88 (2235)		88 (2235)		88 (2235)		88 (2235)	
J	Turning Radius (inside / outside)	in (mm)		70.5 (1790)		68.5 (1740)		70.9 (1800)		68.9 (1750)	
K	Load Distance ¹	in (mm)		16.7 (425)		16.7 (425)		16.7 (425)		16.7 (425)	
L	Basic Right-Angle Stacking Aisle Width ²	in (mm)		87.2 (2215)		85.2 (2165)		87.6 (2225)		85.6 (2170)	
PERFORMANCE DATA				8FBCU20		8FBCU20-COMP		8FBCU25		8FBCU25-COMP	
				36V	48V	36V	48V	36V	48V	36V	48V
Speeds ³	Maximum Travel (fwd. / rev.)	Full Load	mph (km/h)	9.9 (16)	11.5 (18.5)	9.9 (16)	11.5 (18.5)	9.6 (15.5)	11.5 (18.5)	9.6 (15.5)	11.5 (18.5)
		No Load	mph (km/h)	11.2 (18)	11.5 (18.5)	11.2 (18)	11.5 (18.5)	10.9 (17.5)	11.5 (18.5)	10.9 (17.5)	11.5 (18.5)
	Lifting	Full Load	fpm (mm/sec)	67 / 340	89 / 450	67 / 340	89 / 450	59 (300)	79 (400)	59 (300)	79 (400)
		No Load	fpm (mm/sec)	106 / 540	130 / 660	106 / 540	130 / 660	106 (540)	130 (660)	106 (540)	130 (660)
	Lowering	Full Load	fpm (mm/sec)	98 (500)		98 (500)		98 (500)		98 (500)	
		No Load	fpm (mm/sec)	98 (500)		98 (500)		98 (500)		98 (500)	
Drawbar Pull	Full Load / No Load	3-Min. Rating	lb (kg)	3320 (1510) / 2140 (970)		3320 (1510) / 2140 (970)		3290 (1490) / 2010 (910)		3290 (1490) / 2010 (910)	
		3-Min. Rating	lb (kg)	3320 (1510) / 2140 (970)		3320 (1510) / 2140 (970)		3290 (1490) / 2010 (910)		3290 (1490) / 2010 (910)	
		60-Min. Rating	lb (kg)	1610 (730) / 1700 (770)		1610 (730) / 1700 (770)		1580 (720) / 1690 (760)		1580 (720) / 1690 (760)	
Gradeability [*]	Full Load / No Load	3-Min. Rating	%	25 / 23		25 / 23		21 / 19		21 / 19	
		3-Min. Rating	%	25 / 23		25 / 23		21 / 19		21 / 19	
		60-Min. Rating	%	11 / 19		11 / 19		9 / 17		9 / 17	
TRUCK WEIGHTS				8FBCU20		8FBCU20-COMP		8FBCU25		8FBCU25-COMP	
Total Weight		lb (kg)		6260 (2840)		6390 (2840)		6960 (3155)		7170 (3250)	
Weight Distribution ⁴	Full Load (front / rear)	lb (kg)		10800 (5070) / 1870 (860)		10930 (5130) / 1870 (860)		12410 (5850) / 1950 (900)		12550 (5910) / 2020 (930)	
	No Load (front / rear)	lb (kg)		3620 (1640) / 5050 (2290)		3750 (1700) / 5050 (2290)		3440 (1560) / 5920 (2685)		3580 (1625) / 5990 (2715)	
TIRES				8FBCU20		8FBCU20-COMP		8FBCU25		8FBCU25-COMP	
Tires	Number (front / rear)			2 / 2		2 / 2		2 / 2		2 / 2	
	Size (front / rear)			21 x 7 x 15 / 16 x 5 x 10.5		21 x 7 x 15 / 16 x 5 x 10.5		21 x 7 x 15 / 16 x 5 x 10.5		21 x 7 x 15 / 16 x 5 x 10.5	
Wheelbase		in (mm)		51 (1295)		51 (1295)		51 (1295)		51 (1295)	
Tread Width (front / rear)		in (mm)		35 (890) / 36 (915)		35 (890) / 36 (915)		35 (890) / 36 (915)		35 (890) / 36 (915)	
Underclearance (full load)	Minimum <Mast>	in (mm)		3.0 (75)		3.0 (75)		3.0 (75)		3.0 (75)	
	Center of Wheelbase	in (mm)		3.9 (100)		3.9 (100)		3.9 (100)		3.9 (100)	
Brake	Service (foot) / Parking Brake			Hydraulic / Foot		Hydraulic / Foot		Hydraulic / Foot		Hydraulic / Foot	
POWER SYSTEM				8FBCU20		8FBCU20-COMP		8FBCU25		8FBCU25-COMP	
				36V	48V	36V	48V	36V	48V	36V	48V
Battery	Voltage / Capacity (STD)	V / Ah		36 / 1020	48 / 765	36 / 880	48 / 640	36 / 1020	48 / 765	36 / 880	48 / 640
	6-Hour Rating (High)	V / Ah		36 / 1320	48 / 990	36 / 1210	48 / 880	36 / 1320	48 / 990	36 / 1210	48 / 880
Electric Motors	Drive	kW		10.8	14.8	10.8	14.8	10.8	14.8	10.8	14.8
	Load Handling	kW		11.3	15.1	11.3	15.1	11.3	15.1	11.3	15.1
	Power Steering										
Control Type	Drive			Transistor Inverter		Transistor Inverter		Transistor Inverter		Transistor Inverter	
	Load Handling			Transistor Inverter		Transistor Inverter		Transistor Inverter		Transistor Inverter	
	Power Steering			Transistor Inverter		Transistor Inverter		Transistor Inverter		Transistor Inverter	
Auxiliary Hydraulic Function Specifications (for attachments) ⁵	Max. Operating Pressure	psi (kg/cm ²)		2580 (181)		2580 (181)		2580 (181)		2580 (181)	
	Max. Flow Rate	gpm (lpm)		11.04		11.04		11.04		11.04	
Reference Page I-A-29 For Flow & Pressure Specifications Chart											

* Computed values.

³ Units ordered with A30H UL "EE" rating will have the same performance characteristics as the UL "E"-rated models. Values indicated reflect speed in H mode. (Reference page I-A-29 in FL Manual for S & P mode travel speeds loaded & unloaded).

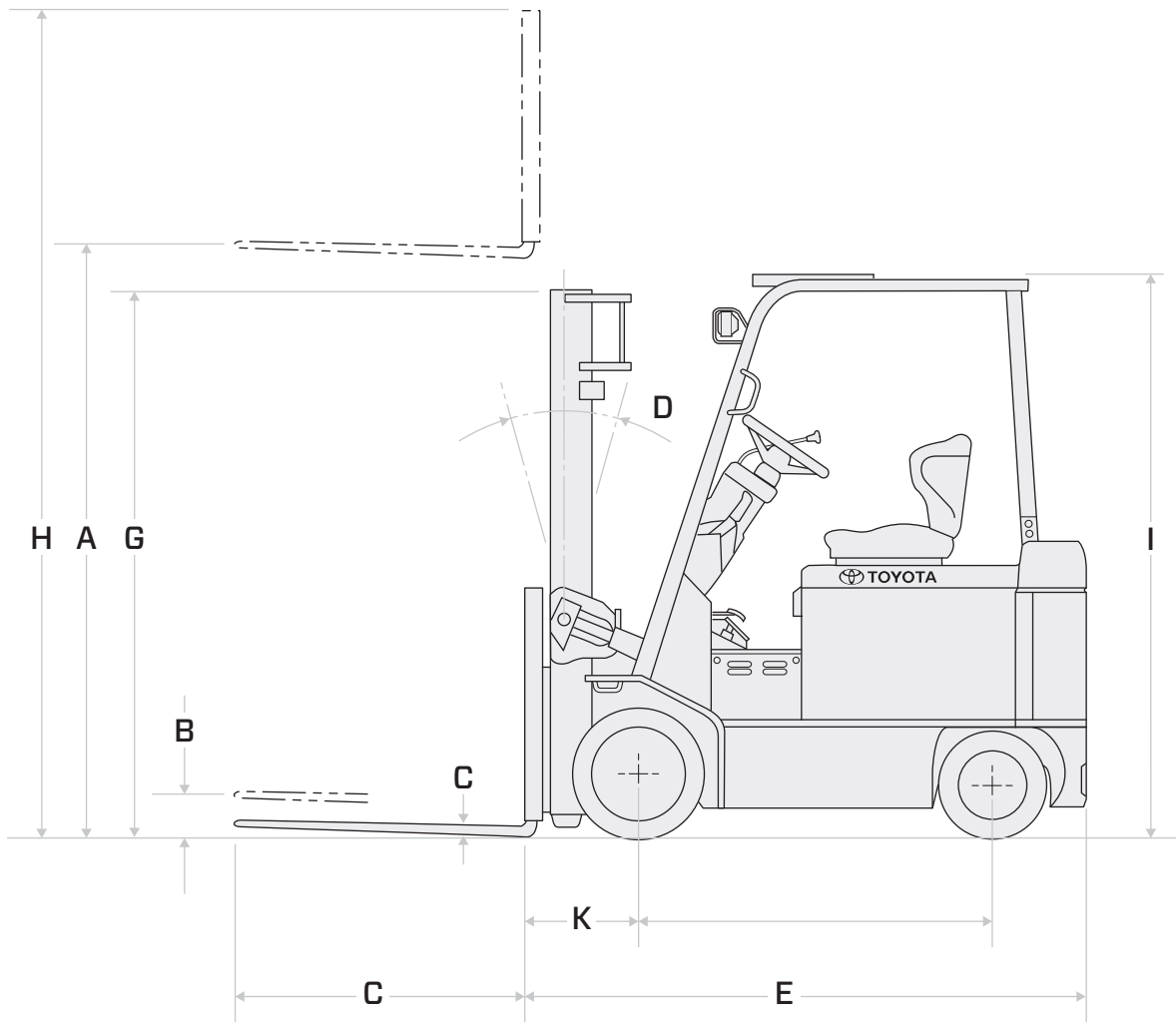
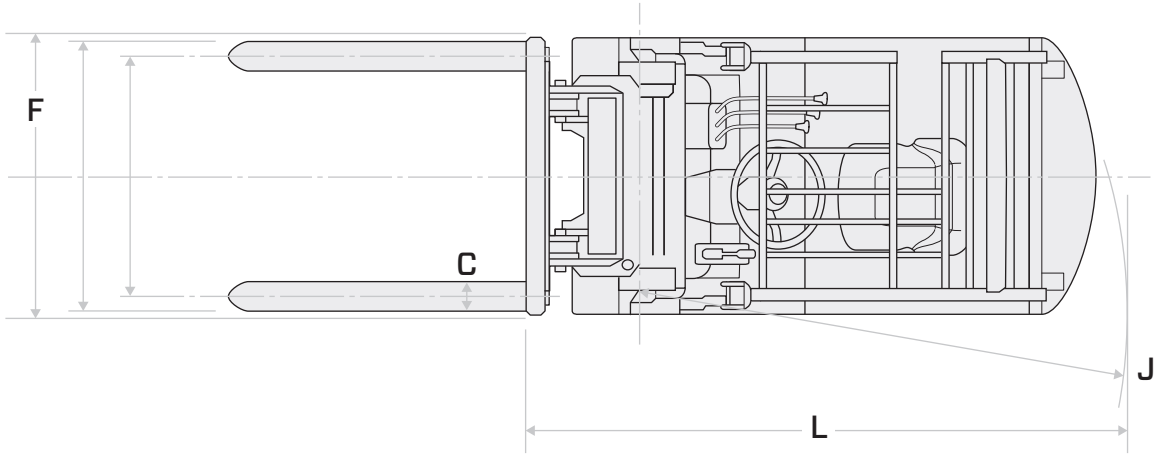
⁴ With standard battery.

⁵ Values taken at Hydraulic Control Valve. Does not take in to consideration losses through mast plumbing (hosing, fittings, QDs, etc.).

¹ At centerline of front axle to front face of forks.

² Add load length & clearance.

EXTERIOR DIMENSIONS



MAST SPECIFICATIONS

MAST TYPE	MAXIMUM FORK HEIGHT (TOP OF FORKS)	OVERALL HEIGHT				FREE-LIFT		TILT RANGE		LOAD CAPACITY AT 24 IN. (610 MM) LOAD CENTER	
		LOWERED	EXTENDED		WITHOUT LOAD BACKREST	WITH STANDARD LOAD BACKREST ¹	FWD	BWD	STANDARD TREAD	WIDE TREAD	
			WITHOUT LOAD BACKREST	WITH STANDARD LOAD BACKREST ¹							
	in (mm)	in (mm)	in (mm)	in (mm)	in (mm)	in (mm)	deg	deg	lb (kg)	lb (kg)	
8FBCU25											
Wide Visible (V)	80.5 (2040)	57.7 (1465)	105.9 (2690)	128.3 (3260)	6.1 (155)	6.1 (155)	6	5	5000 (2270)	5000 (2270)	
	119.5 (3040)	77.4 (1965)	145.2 (3690)	167.7 (4260)	6.1 (155)	6.1 (155)	6	8	5000 (2270)	5000 (2270)	
	131.5 (3340)	83.3 (2115)	157.1 (3990)	179.5 (4560)	6.1 (155)	6.1 (155)	6	8	5000 (2270)	5000 (2270)	
	139.0 (3540)	87.2 (2215)	164.9 (4190)	187.4 (4760)	6.1 (155)	6.1 (155)	6	8	5000 (2270)	5000 (2270)	
	147 (3740)	93.5 (2375)	173.8 (4390)	195.3 (4960)	6.1 (155)	6.1 (155)	6	8	5000 (2270)	5000 (2270)	
Full Free-Lift 2-Stage (FV)	159 (4040)	101 (2565)	184.6 (4690)	207.1 (5260)	6.1 (155)	6.1 (155)	6	8	5000 (2270)	5000 (2270)	
	119.5 (3040)	77.4 (1965)	143.5 (3645)	167.7 (4260)	53.6 (1360)	29.3 (745)	6	8	5000 (2270)	5000 (2270)	
	131.5 (3340)	83.3 (2115)	155.3 (3945)	179.5 (4560)	59.5 (1510)	35.2 (895)	6	8	5000 (2270)	5000 (2270)	
Full Free-Lift 3-Stage (FSV)	139 (3540)	87.2 (2215)	163.1 (4145)	187.4 (4760)	63.4 (1610)	39.2 (995)	6	8	5000 (2270)	5000 (2270)	
	159 (4040)	73.4 (1865)	184.2 (4680)	207.1 (5260)	48.1 (1220)	25.4 (645)	6	5	5000 (2270)	5000 (2270)	
	170.5 (4340)	77.4 (1965)	196 (4980)	218.9 (5560)	52 (1320)	29.4 (745)	6	5	5000 (2270)	5000 (2270)	
	189 (4800)	83.3 (2115)	214.3 (5445)	237.2 (6025)	57.9 (1470)	35.3 (895)	6	5	4850 (2200)	4850 (2200)	
	198 (5040)	87.2 (2215)	223.6 (5680)	246.5 (6260)	61.9 (1570)	39.2 (995)	6	5	4750 (2150)	4750 (2150)	
	218 (5540)	93.5 (2375)	243.3 (6180)	266.1 (6760)	68.2 (1150)	45.5 (1155)	6	5	—	4600 (2090) ²	
Full Free-Lift 4-Stage (QFV)	237.5 (6040)	101 (2565)	263 (6680)	285.8 (7260)	75.6 (1340)	53 (1345)	6	5	—	4000 (1810) ²	
	241.5 (6100)	83.1 (2110)	262.6 (6670)	289.6 (7355)	62.1 (1575)	35 (890)	6	5	—	4400 (2000) ³	
	259.5 (6600)	89 (2260)	280.7 (7130)	307.7 (7815)	68 (1725)	40.9 (1040)	6	5	—	3850 (1750) ³	
	278 (700)	95.3 (2420)	298.8 (7590)	325.8 (8275)	74.3 (1885)	47.2 (1200)	6	5	—	2500 (1130) ³	

MAST TYPE	MAXIMUM FORK HEIGHT (TOP OF FORKS)	OVERALL HEIGHT				FREE-LIFT		TILT RANGE		LOAD CAPACITY AT 24 IN. (610 MM) LOAD CENTER	
		LOWERED	EXTENDED		WITHOUT LOAD BACKREST	WITH STANDARD LOAD BACKREST ¹	FWD	BWD	STANDARD TREAD	WIDE TREAD	
			WITHOUT LOAD BACKREST	WITH STANDARD LOAD BACKREST ¹							
	in (mm)	in (mm)	in (mm)	in (mm)	in (mm)	in (mm)	deg	deg	lb (kg)	lb (kg)	
8FBCU25-COMP											
Wide Visible (V)	80.5 (2040)	57.7 (1465)	105.9 (2690)	128.3 (3260)	6.1 (155)	6.1 (155)	6	5	5000 (2270)	5000 (2270)	
	119.5 (3040)	77.4 (1965)	145.2 (3690)	167.7 (4260)	6.1 (155)	6.1 (155)	6	8	5000 (2270)	5000 (2270)	
	131.5 (3340)	83.3 (2115)	157.1 (3990)	179.5 (4560)	6.1 (155)	6.1 (155)	6	8	5000 (2270)	5000 (2270)	
	139.0 (3540)	87.2 (2215)	164.9 (4190)	187.4 (4760)	6.1 (155)	6.1 (155)	6	8	5000 (2270)	5000 (2270)	
	147 (3740)	93.5 (2375)	173.8 (4390)	195.3 (4960)	6.1 (155)	6.1 (155)	6	8	5000 (2270)	5000 (2270)	
Full Free-Lift 2-Stage (FV)	159 (4040)	101 (2565)	184.6 (4690)	207.1 (5260)	6.1 (155)	6.1 (155)	6	8	5000 (2270)	5000 (2270)	
	119.5 (3040)	77.4 (1965)	143.5 (3645)	167.7 (4260)	53.6 (1360)	29.3 (745)	6	8	5000 (2270)	5000 (2270)	
	131.5 (3340)	83.3 (2115)	155.3 (3945)	179.5 (4560)	59.5 (1510)	35.2 (895)	6	8	5000 (2270)	5000 (2270)	
Full Free-Lift 3-Stage (FSV)	139 (3540)	87.2 (2215)	163.1 (4145)	187.4 (4760)	63.4 (1610)	39.2 (995)	6	8	5000 (2270)	5000 (2270)	
	159 (4040)	73.4 (1865)	184.2 (4680)	207.1 (5260)	48.1 (1220)	25.4 (645)	6	5	5000 (2270)	5000 (2270)	
	170.5 (4340)	77.4 (1965)	196 (4980)	218.9 (5560)	52 (1320)	29.4 (745)	6	5	5000 (2270)	5000 (2270)	
	189 (4800)	83.3 (2115)	214.3 (5445)	237.2 (6025)	57.9 (1470)	35.3 (895)	6	5	4850 (2200)	4850 (2200)	
	198 (5040)	87.2 (2215)	223.6 (5680)	246.5 (6260)	61.9 (1570)	39.2 (995)	6	5	4750 (2150)	4750 (2150)	
	218 (5540)	93.5 (2375)	243.3 (6180)	266.1 (6760)	68.2 (1150)	45.5 (1155)	6	5	—	4550 (2060) ²	
Full Free-Lift 4-Stage (QFV)	237.5 (6040)	101 (2565)	263 (6680)	285.8 (7260)	75.6 (1340)	53 (1345)	6	5	—	4400 (2000) ²	
	241.5 (6100)	83.1 (2110)	262.6 (6670)	289.6 (7355)	62.1 (1575)	35 (890)	6	5	—	4200 (1900) ²	
	259.5 (6600)	89 (2260)	280.7 (7130)	307.7 (7815)	68 (1725)	40.9 (1040)	6	5	—	3950 (1790) ²	
	278 (700)	95.3 (2420)	298.8 (7590)	325.8 (8275)	74.3 (1885)	47.2 (1200)	6	5	—	2700 (1220) ²	

¹ Height of standard load backrest is 48" (1220 mm).

² Requires option G00A Wide Tread.