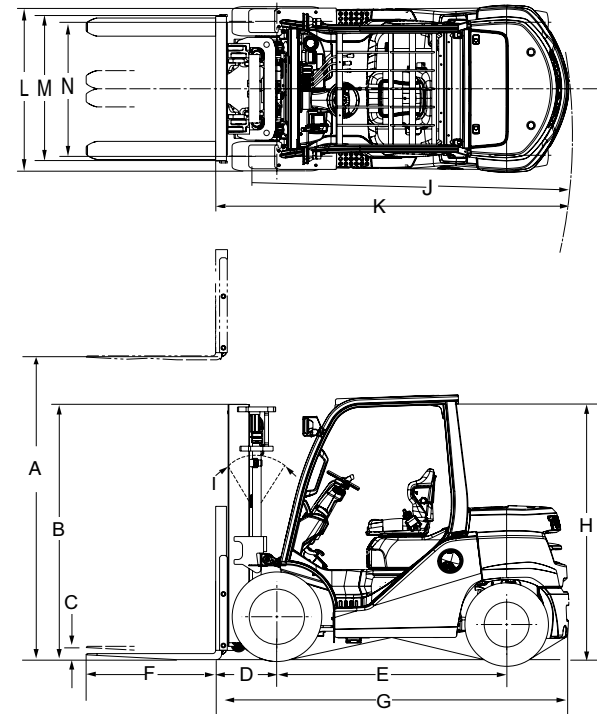


## 8,000 – 17,500 lbs. • Truck Dimensions



8FG35U model shown above

## 8,000 – 10,000 lbs. • Mast Specifications

### 8FG/8FD35U & 8FG/8FD40U

Mast Type	Maximum Fork Height (top of forks)	Overall Height				Free Lift		8FG/8FD35U				8FG/8FD40U			
		Lowered	Extended		Without Load Backrest	With Load Backrest	Single Tire		Optional Dual Tires		Single Tire		Optional Dual Tires		
			Without Load Backrest	With Load Backrest			Tilt Range	Load Capacity @ 24" Load Center	Tilt Range	Load Capacity @ 24" Load Center	Tilt Range	Load Capacity @ 24" Load Center	Tilt Range	Load Capacity @ 24" Load Center	
	in.	in.	in.	in.	in.	in.	deg.	deg.	lbs.	deg.	deg.	lbs.	deg.	deg.	lbs.
V	120	83.1	151.6	168.1	4.3	4.3	6	12	8000	6	12	8000	6	12	9000
	132	90.2	163.4	179.9	4.3	4.3	6	12	8000	6	12	8000	6	12	9000
	147.5	98	179.1	195.7	4.3	4.3	6	12	8000	6	12	8000	6	12	9000
	159.5	107.9	190.9	207.5	4.3	4.3	6	12	8000	6	12	8000	6	12	9000
	179	117.7	210.6	227.2	4.3	4.3	6	12	8000	6	6	9000	6	12	9000
	199	127.6	230.3	246.9	4.3	4.3	6	6	7800	6	12	7800	6	6	9000
FV	120	83.1	152.8	168.1	50.4	35.0	6	12	8000	6	12	8000	6	12	9000
	132	90.2	164.6	179.9	57.5	42.1	6	12	8000	6	12	8000	6	12	9000
FSV	159.5	78.4	192.1	207.5	45.7	30.3	6	6	8000	6	6	8000	6	6	9000
	171.5	83.1	203.9	219.3	50.4	35.0	6	6	8000	6	6	8000	6	6	9000
	187	90.2	219.7	235	57.5	42.1	6	6	7700	6	6	7700	6	6	9000
	199	94.1	231.5	246.9	61.4	46.1	6	6	7500	6	6	7500	6	6	9000
	218.5	100.0	251.2	266.5	67.3	52	6	6	6200	6	6	7250	6	6	9000
	238	107.9	270.9	286.2	75.2	59.8	6	6	4600	6	6	7050	6	6	7280

Note: Height of standard load backrest is 48 in.

### 8FG/8FD45U

Mast Type	Maximum Fork Height (top of forks)	Overall Height				Free Lift		Single Tire		Optional Dual Tires		
		Lowered	Extended		Without Load Backrest	With Load Backrest	Tilt Range		Load Capacity @ 24" Load Center	Tilt Range		Load Capacity @ 24" Load Center
			Without Load Backrest	With Load Backrest			FWD	BWD		FWD	BWD	
	in.	in.	in.	in.	in.	in.	deg.	deg.	lbs.	lbs.	lbs.	
V	120	86.6	146.7	168.1	4.3	4.3	6	12	10000	6	12	10000
	132	92.5	158.5	179.9	4.3	4.3	6	12	10000	6	12	10000
	147.5	102.4	174.2	195.7	4.3	4.3	6	12	10000	6	12	10000
	159.5	110.2	186	207.5	4.3	4.3	6	12	10000	6	12	10000
	179	120.1	205.7	227.2	4.3	4.3	6	6	10000	6	12	10000
	199	129.9	225.4	246.9	4.3	4.3	6	6	8850	6	12	9750
FV	120	86.6	147.2	168.1	59.5	38.6	6	12	10000	6	12	10000
	132	92.5	159.1	179.9	65.4	44.5	6	12	10000	6	12	10000
FSV	159.5	83.5	186.8	207.5	56.3	35.4	6	6	10000	6	6	10000
	171.5	86.6	198.6	219.3	59.5	38.6	6	6	9750	6	6	9750
	187	92.5	214.4	235	65.4	44.5	6	6	9300	6	6	9700
	199	96.5	226.2	246.9	69.3	48.4	6	6	8800	6	6	9450
	218.5	102.4	245.9	266.5	75.2	54.3	6	6	6650	6	6	9000
	238	110.2	265.6	286.2	83.1	62.2	6	6	5150	6	6	8600

Note: Height of standard load backrest is 48 in.

## 11,000 – 17,500 lbs. • Mast Specifications

### 8FG/8FD50U

Mast Type	Maximum Fork Height (top of forks)	Overall Height			Free Lift		Single Tire		Optional Dual Tires			
		Lowered	Extended		Without Load Backrest	With Load Backrest	Tilt Range		Load Capacity @ 24" Load Center	Tilt Range		Load Capacity @ 24" Load Center
			Without Load Backrest	With Load Backrest			FWD	BWD		FWD	BWD	
	in.	in.	in.	in.	in.	in.	deg.	deg.	lbs.	lbs.	lbs.	
V	120.5	96.5	153.7	174.6	4.9	4.9	6	12	11000	6	12	11000
	132.5	102.4	165.6	186.4	4.9	4.9	6	12	11000	6	12	11000
	148	110.2	181.3	202.2	4.9	4.9	6	12	11000	6	12	11000
	160	120.1	193.1	214	4.9	4.9	6	12	11000	6	12	11000
	179.5	129.9	212.8	233.7	4.9	4.9	6	6	11000	6	12	11000
	199.5	139.8	232.5	253.4	4.9	4.9	6	6	9000	6	12	10600
FSV	160	89.4	194.3	214	55.1	35.4	6	6	10800	6	6	10800
	172	92.5	206.1	225.8	58.3	38.6	6	6	10600	6	6	10600
	187.5	96.5	221.9	241.5	62.2	42.5	6	6	9500	6	6	10200
	199.5	102.4	233.7	253.4	68.1	48.4	6	6	9000	6	6	10000
	219	110.2	253.4	273	76.0	56.3	6	6	6800	6	6	9500
	239	120.1	273	292.7	85.8	66.1	6	6	5300	6	6	9000

Note: Height of standard load backrest is 54 in.

### 8FG/8FD60U & 8FG/8FD70U

Mast Type	Maximum Fork Height (top of forks)	Overall Height			Free Lift		8FG/D60U		8FG/D70U			
		Lowered	Extended		Without Load Backrest	With Load Backrest	Tilt Range		Load Capacity @ 24" Load Center			
			Without Load Backrest	With Load Backrest			FWD	BWD	FWD	BWD		
	in.	in.	in.	in.	in.	deg.	deg.	lbs.	lbs.	lbs.		
V	120.5	96.9	156.7	174.6	4.9	4.9	6	12	13500	6	12	15500
	132.5	102.8	168.5	186.4	4.9	4.9	6	12	13500	6	12	15500
	140.5	106.7	176.4	194.3	4.9	4.9	6	12	13500	6	12	15500
	148	110.6	184.3	202.2	4.9	4.9	6	12	13500	6	12	15500
	179.5	130.3	215.8	233.7	4.9	4.9	6	12	13200	6	12	15500
	219	150	255.1	273	4.9	4.9	6	12	12500	6	12	14600
FSV	160	92.9	196.9	214	56.1	39	6	6	13300	6	6	15500
	172	96.9	208.7	225.8	60	42.9	6	6	12900	6	6	14800
	187.5	100.4	224.4	241.5	63.6	46.5	6	6	12400	6	6	14600
	199.5	110.6	236.2	253.4	73.8	56.7	6	6	11650	6	6	13700
	219	120.5	255.9	273	83.7	66.5	6	6	10800	6	6	12700
	239	122.4	275.6	292.7	85.6	68.5	6	6	9850	6	6	11600

Note: Height of standard load backrest is 54 in.

### 8FG/8FD80U

Mast Type	Maximum Fork Height (top of forks)	Overall Height			Free Lift		Tilt Range		Load Capacity @ 24" Load Center
		Lowered	Extended		Without Load Backrest	With Load Backrest	FWD	BWD	
			Without Load Backrest	With Load Backrest					deg. <th>deg. </th>
	in.	in.	in.	in.	in.	deg.	deg.	lbs.	
V	121	102.8	160.8	174.8	5.1	5.1	6	12	17500
	132.5	106.7	172.6	186.6	5.1	5.1	6	12	17500
	140.5	110.6	180.5	194.5	5.1	5.1	6	12	17500
	148.5	120.5	188.4	202.4	5.1	5.1	6	12	17500
	180	140.2	219.9	233.9	5.1	5.1	6	12	17500

Note: Height of standard load backrest is 54 in.



Some product features described herein are optional. Please consult your dealer for specifications. Details and specifications of equipment are based on information available at the time of printing and may change without notice.

00722-8P856-613 8/13  
Litho in U.S.A.

© 2013 Toyota Material Handling, U.S.A., Inc.  
www.toyotaforklift.com



8,000 - 17,500

PNEUMATIC  
GAS LPG DIESEL



