

ELECTRIC WALKIE



INDUSTRIAL EQUIPMENT

REACH NEW HEIGHTS

4500 LBS.

SPECIFICATIONS



8HBW23

CLASS
3

ELECTRIC PALLET JACKS/STACKERS/TOW TRACTORS

ToyotaForklift.com

ELECTRIC WALKIE

CAPACITY
4500 LBS.

FORK LENGTH
32 - 60 IN.

FORK WIDTH
6.76 IN.

INDUSTRIES



Beverage



Cold Storage



Distribution



Food Storage



General
Warehousing



Retail

STANDARD FEATURES

PERFORMANCE

- 24-Volt electrical system
- AC drive motor with thermal protection & current limiting
- Class “F” motor insulation
- Transistor drive control system
- Controller area network (CAN-bus) communication
- Regenerative braking
- Contactor-less drive controls
- Electronic touchpad, keyless entry system with password protection
- Programmable performance for up to 10 operators
- Electronic raise & lower controls in operator handle
- Programmable auto-off system
- Error indicator with self-diagnostics
- Fault code memory with hour meter reading
- Hour meter indicator
- Programmable service indicator
- Battery discharge indicator with lift interrupt
- Anti-rollback system
- Fused control & power circuits
- IP65-rated electrical system

BODY/EXTERIOR DESIGN

- Box rail fork construction
- Tapered fork tips with pallet entry slides
- Polyethylene stability wear pads (reversible)
- Teflon[®]-coated PolyLube™ bushings
- Chrome-plated lift cylinder, 2" dia.
- Rubber drive tire, 10" dia. x 5" width
- Polyurethane load wheels, 3.25" dia. x 4.5" width
- Battery compartment 26.5" x 7.8" x open height
- SB-175 battery connector (red)
- High-strength service cover with pen/pencil storage tray
- Tool-free cover removal
- Steel fixed pull rods
- Electric horn
- Stainless steel lift linkage pins

OPERABILITY & ERGONOMICS

- Multifunction control handle with ergonomically angled handgrips
- Fingertip control of all functions
- Directional thumb controls
- Programmable neutral speed reduction
- Direction reverse switch on control handle
- Turtle torque control
- Spring-loaded control handle
- “Pinwheel” capability for right angle stacking
- Electric disc brake
- Emergency power disconnect
- Battery disconnect handle
- Electronic brake release jumper

OPTIONAL EQUIPMENT

- 48"-high load backrest
- 60"-high load backrest
- 72"-high load backrest
- Battery compartment 26.5" x 9" x open height
- Battery/charger pack (24V) flooded lead-acid (175 Ah)
- Battery/charger pack (24V) maintenance-free (195 Ah)
- Polyurethane torsion block casters
- Crowned poly drive tire
- Grip rubber drive tire (maxmatic tread)
- Polyurethane drive tire
- Cold storage conditioning
- Galvanized chassis
- UL-approved model type “E”
- UL-approved model type “EE”
- Charger pack (less batteries)
- GNB maintenance-free battery/charger pack (24V - 195 Ah)
- NexSys[®] maintenance-free battery/charger pack
- Key switch
- 3" lowered fork height (reduces capacity to 3000 lbs.)
- Convert load wheels to greasable-bearing
- Forward/reverse travel alarm
- Reflective decals
- Magnetic base shrinkwrap holder

TRUCK SPECIFICATIONS

MODEL NUMBERS

EXTERIOR DIMENSIONS ¹		8HBW23						
Capacity	lb (kg)	4500 (2040)						
A Fork Length (actual)	in (mm)	29.5 (750)	33.5 (851)	39.5 (1004)	43.5 (1105)	45.4 (1152)	51.5 (1308)	57.5 (1461)
B Overall Length	in (mm)	53.4 (1356)	57.4 (1457)	63.4 (1610)	67.4 (1711)	69.2 (1758)	75.4 (1914)	81.4 (2067)
C Wheelbase (lowered)	in (mm)	40.2 (1022)	44.2 (1123)	50.2 (1276)	54.2 (1377)	56.1 (1424)	62.2 (1580)	68.2 (1733)
C Wheelbase (raised)	in (mm)	37.2 (944)	41.1 (1045)	47.1 (1198)	51.1 (1299)	53 (1346)	59.1 (1502)	65.2 (1655)
D Load Wheel Location (lowered)	in (mm)	24.1 (611)	28 (712)	34.1 (865)	38 (966)	39.9 (1013)	46 (1169)	52 (1322)
D Load Wheel Location (raised)	in (mm)	20.9 (531)	24.9 (632)	30.9 (785)	34.9 (886)	36.7 (933)	42.9 (1089)	48.9 (1242)
E Turning Radius (raised)	in (mm)	44.8 (1138)	48.8 (1239)	54.8 (1392)	58.8 (1493)	60.6 (1540)	66.8 (1696)	72.8 (1849)
F Overall Width	in (mm)	28 (711)						
G Power Unit Height (lowered)	in (mm)	32.7 (831)						
H Control Handle Height (fully raised)	in (mm)	47.2 (1200)						
I Bumper to Drive Tire Center	in (mm)	7.7 (195)						
J Bumper Underclearance	in (mm)	3.0 (75)						
K Fork Width	in (mm)	6.76 (172)						
L Fork Overall Width (actual)	in (mm)	26.6 (675)						
M Head Length	in (mm)	23.9 (606)						
N Fork Down Height	in (mm)	3.4 (86)						
O Elevated Height	in (mm)	9.1 (231)						
P Lift	in (mm)	5.6 (141)						
Q Control Handle Height (fully lowered)	in (mm)	23.6 (600)						

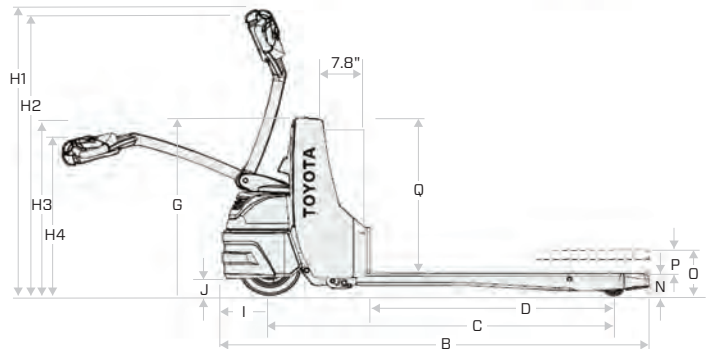
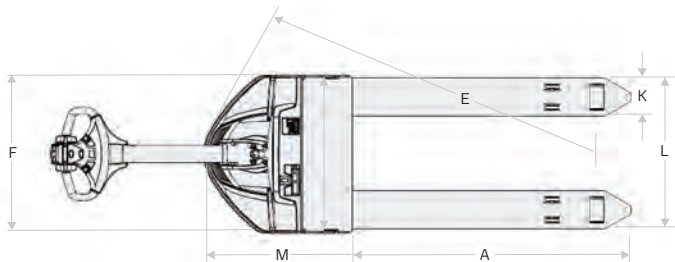
PERFORMANCE DATA			8HBW23
Travel Speed	Full Load	mph (km/h)	3.6 (5.8)
	No Load	mph (km/h)	3.6 (5.8)
Gradeability	Full Load	%	10
	No Load	%	10

TIRES		8HBW23
Type	Drive Tire	Rubber
	Load Wheels	Polyurethane

POWER SYSTEM			8HBW23
Battery	V	24	
Max. Amp Hr.	Ah	330	
Battery Connector / Color		SB-175 / Red	
Battery Connector Cable Location		B	
Battery Connector Cable Length	in	18	
Battery Weight Maximum	lb	660	
Battery Weight Minimum	lb	200	
Battery Compartment (L x W) - Open Height	Standard	in	26.5 x 7.8
	Optional	in	26.5 x 9

AISLE REQUIREMENT - RIGHT ANGLE STACK ²		8HBW23							
		Load Length (Nominal Fork Length)							
		in (mm)	32	36	42	46	48	54	60
Load Width	40 (1016)	in (mm)	69.3 (1760)	73.3 (1862)	79.3 (2014)	83.3 (2116)	85.3 (2167)	91.3 (2319)	97.3 (2471)
	44 (1118)	in (mm)	71.2 (1808)	75.2 (1910)	81.2 (2062)	85.2 (2164)	87.2 (2215)	93.5 (2376)	99.2 (2520)

EXTERIOR DIMENSIONS



1 Exterior dimensions have been given for a standard model with a 7.8" battery compartment.

2 Minimum Aisle Width for Right-Angle Stacking: Aisle widths have been given for a standard model with 7.8" battery compartment. Add a minimum of 12" for maneuverability.