



FS95/FS105 FALCON

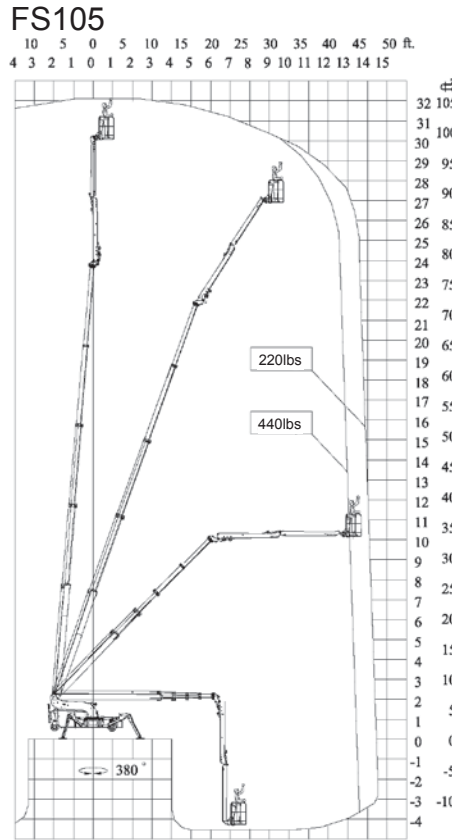
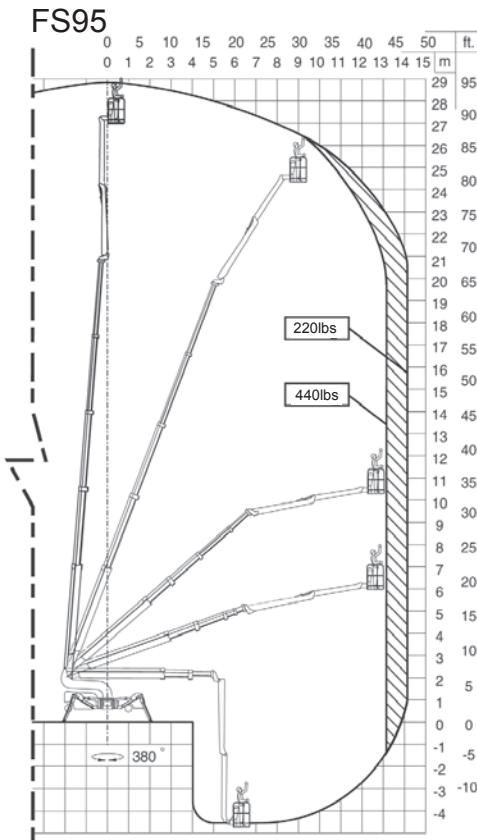
The FALCON Series

When you need considerable work height combined with limited or narrow access and maybe even surface pressure restrictions, nothing outperforms the new FALCON series. In a field dominated by traditional boom lifts, the FALCON series sets a new standard for compact, flexible and light aerial work platform design. The new design is not only elegant, but also makes it the most user-friendly and safe unit in its class.

- Available in 9 models from 85ft - 138ft
- Most models available in wheel or track version
- Pass through a single or double door opening
- First and only compact lift with a double jib system
- Automatic outrigger setting (optional)
- Drive from basket (optional in wheel based lifts)
- Automatic, double safety and stability system
- Multi position outrigger system
- Set up on uneven surfaces
- Lightweight, detachable basket
- Self loads onto low bed trailer
- Customized trailer available upon request

We reserve the right to alterations

Model	FS95	FS105
Working height	95ft	105ft
Basket height	89ft	99ft
Max outreach	46ft	46ft
Jib arm (2x10ft)	20ft	20ft
Double jib arm	200°	200°
Basket load	440lbs	440lbs
Basket dims	4'7" x 2'7"	4'7" x 2'7"
Basket rotation (opt)	+/-90°	+/-90°
Turret rotation	375°	375°
Height	6ft6in	6ft6in
Length	20ft8in	23ft7in
Width	2ft7in	2ft7in
Gradability (standard)	5°/10%	5°/10%
Footprint (adjustable)	15ft1in	15ft1in
Weight (approx)	8,250lbs	9,130lbs
Max pressure, tires	116psi	114psi
Max pressure, footplate	34psi	41psi
4 battery pack	Standard	Standard
24V DC motor	Standard	Standard
Hatz diesel engine	Option	Option
Honda generator	Option	Option



FS95/FS105 FALCON

Standard Equipment

- Automatic stability & outreach control
- Computer controlled (can-bus)
- Proportional control of all functions
- Self propelled
- Battery powered with charger
- Double jib arm
- 375° non cont. turret rotation
- Individual setting of outriggers
- Elec. checking of the power system
- Manual pump for emergency lowering
- Self-load onto trucks and trailers
- Adjustable wheel axle
- Min. width of only 2ft7in
- 2 person basket
- Space for tools etc in basket
- Storage room in chassis with lock

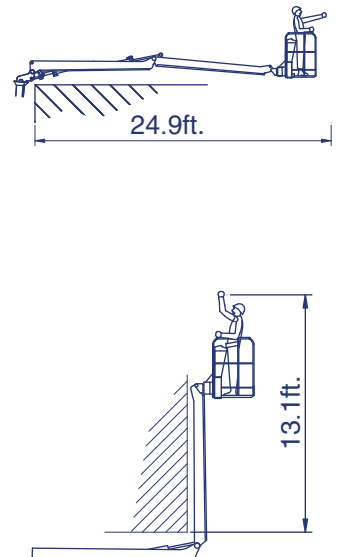
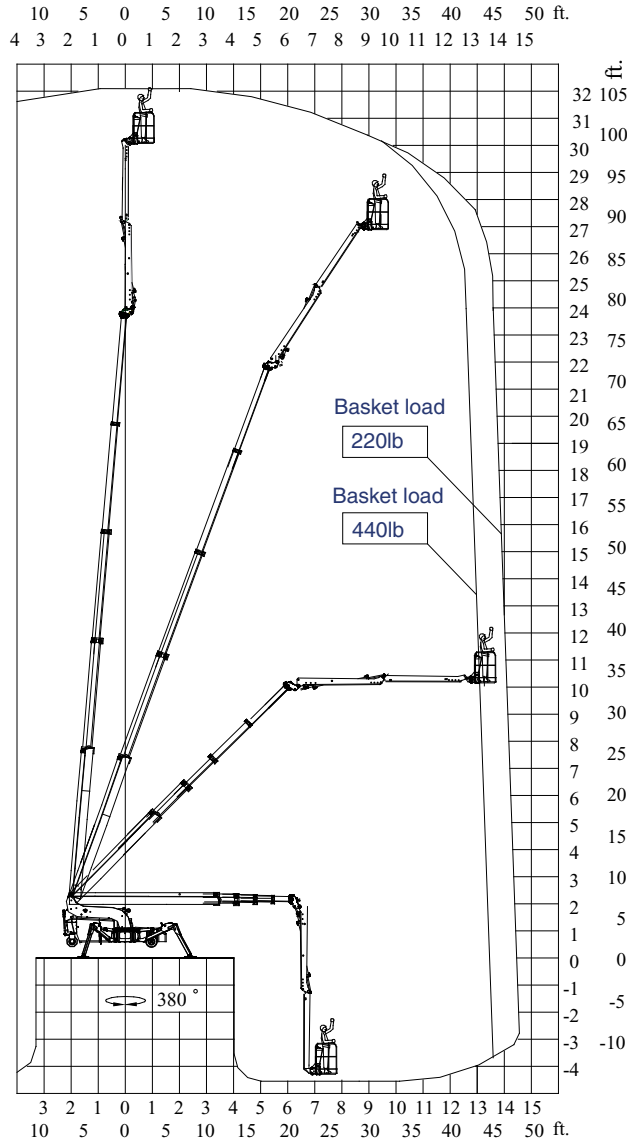
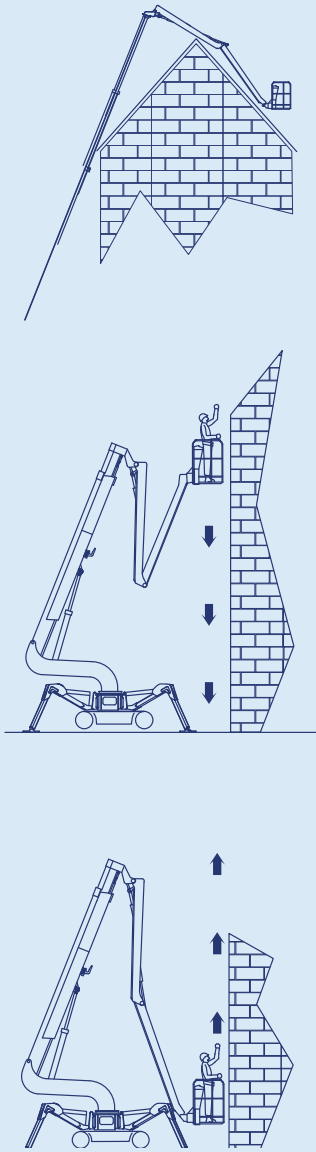
Optional Equipment

- 180° (+/-90°) basket rotation
- 110V AC power to the basket
- Air/water to the basket
- Distance sensor on the basket
- Wind sensor on the basket
- Hatz diesel engine
- Honda gasoline generator
- Extra batteries
- Autosetting/leveling from basket
- Chassis control from the basket
- Sliding boxes for outriggers
- 2 wheel drive (10°/18%)
- 3 wheel drive (15°/26%)
- Special color
- Height control switch
- Extra narrow outrigger setting (8ft5in)
- Baskets in various sizes
- Slope alarm
- Main boom raised max 6ft while driving



ReachMaster Falcon FS105

Reach diagram — Optimized position

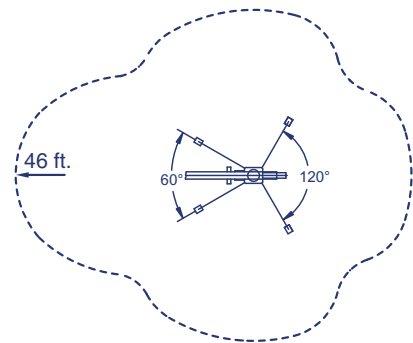
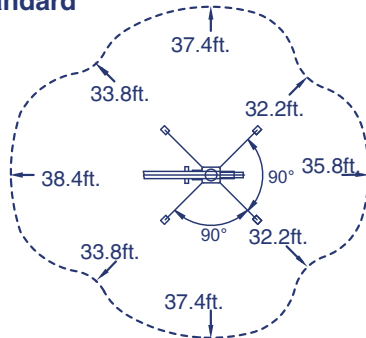


Reach with outriggers in different positions

Standard

Measurements in feet

Optimized



Basket load = 440lb

Basket load = 220lb

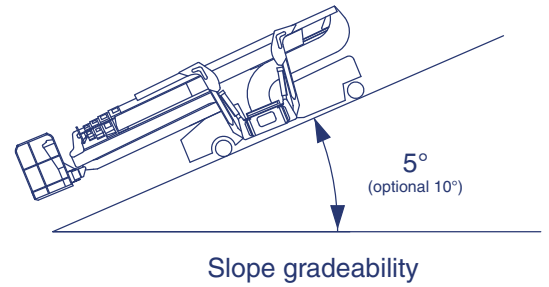
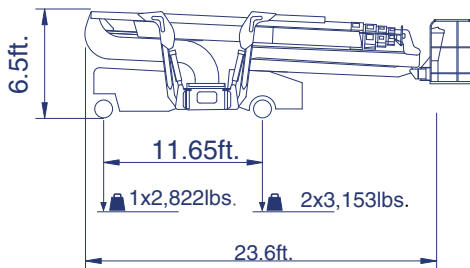
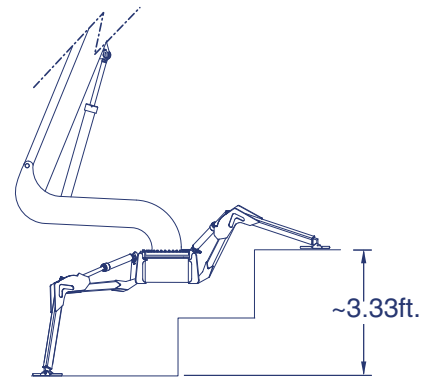
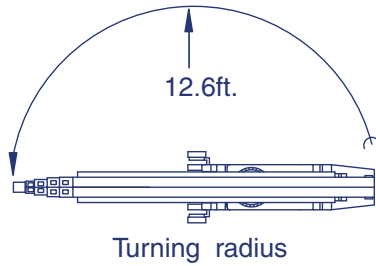
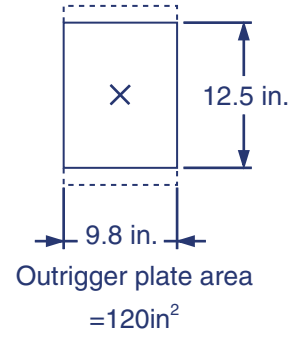
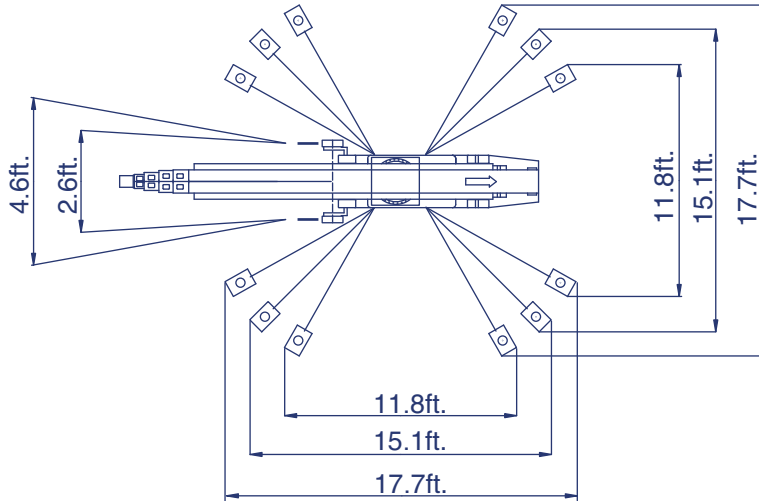
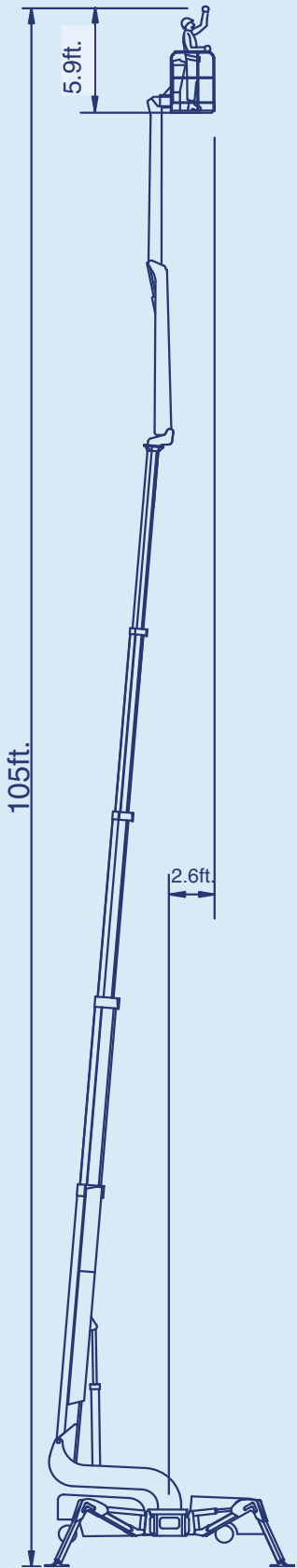
ReachMaster Inc.
 1416D Stonehollow Drive
 Kingwood TX77339
 USA
 Tel.: 281-358-7088
 Fax: 281-359-3500
 Toll-free: 1-866-358-7088

usa@reachmaster.com
 www.reachmaster.com

All measurements are intended as guide. Choice of equipment may change the mentioned measurements



ReachMaster



Additional info:

Weight and ground pressure:

Weight with standard equipment	9,127 lbs
Max. ground pressure under 1 wheel	133.8 psi
Max. ground pressure under 1 outrigger plate	41.2 psi
Front wheel area (depending on wheel type)	1 x approx. 26.4 in ²
Rear wheel area (depending on wheel type)	2 x approx. 27.7 in ²

As all our products are in a constant process of development we reserve the right to alterations



ReachMaster

Technical data for FS105

Max basket load	440 lb (2 persons of 87 lb + 66 lb. extra equipment)
Telescopic functions	
Boom stages:	4
Telescopic stroke:	52.5 ft. (Approx.)
Main boom	
Movement:	88° (-3° to + 85°)
Turret	
Rotation:	380° (standard).
Rotations system:	Hydraulic motor, planetary gear.
Jib	
Length:	9.8 ft.
Rotations angle:	180°
Basket Jib	
Length:	9.8 ft.
Rotations angle:	180°
Basket	
Rotations angle:	2 x 90° (available as optional)
Outriggers	
Adjustment:	Manually horizontally
Setting:	hydraulic cylinder jack
Option equipment:	Operating the platform from the basket
Track gauge:	Adjustable in 4 positions 2.6 ft. – 3.3 ft. - 3.9 ft. - 4.6 ft.
Loading/unloading truck	
Max. load height approx.	3.7 ft.
Max. load width approx.	9.8 ft.
Power supply	
	230V AC, 50/60 Hz, min.10 Amp. (Recommended 13 Amp.)
Power unit	
Standard:	24V DC motor
Option:	Hatz Diesel Engine
Option:	Honda Generator
Batteries	4 pcs. maintenance free batteries, (Option 4 - 8 extra pcs.)
	Type Dryfit Traction block 6-180 6V 180Ah (power unit)
	1 pcs. of maintenance free battery, VARTA 12V (Diesel engine)

Driving unit

Fast speed forwards	0.93 mile/h (Approx.)
Slow speed forward	0.56 mile/h (Approx.)
Fast speed reverse	0.93 mile/h (Approx.)
Slow speed reverse	0.56 mile/h (Approx.)
Max. gradient (standard):	Approx. 9%/5°
Max. gradient (Option):	With 2 wheel drive approx. 18%/10°

Self-propelled range:

Max distance reached by self-propelled platform, on battery power (fully charged) on level hard surface: 5905 ft.

Safety systems

Stability/overload:	Measurement of load/pressure on outriggers
Hydraulic safety:	Pilot check valve
Overload main boom protection:	Main boom deflection measurement
Slope alarm (Option):	Acoustic signal if chassi is out of level according to horizontal
Cross axis:	4°
Length axis:	8°

Chain fault:	Red indicator lights up at the control panels, if chain breaks or faults.
Emergency lowering:	Secondary electrical system and manual hand pump.

Emergency lowering.

Secondary electrical system and manual hand pump

REMARK

Data can have a deviation at each single platform due to production tolerances.

WARNING

Do not use the platform without reading and following the instructions carefully. Failing to comply with the correct operating procedures and safety instruction, can because for injury or death.

ALWAYS READ OPERATORS MANUAL BEFORE USE!