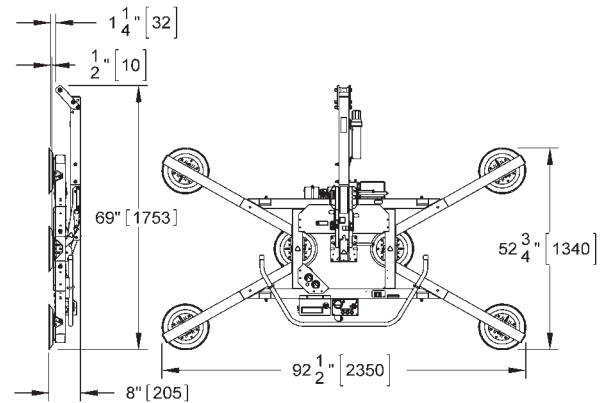
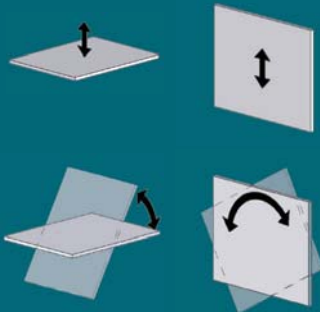


LOW-PROFILE MANUAL ROTATOR/TILTERS 900 & 1100

In addition to DC power and a dual vacuum system, this Powr-Grip® rotator/tilter features a highly adaptable pad frame and a remarkably low profile, for maximum flexibility in handling loads between buildings and scaffolding or similar tight work locations.

MRTALP611LDC
 1100 lbs [500 kg]

MRTALP6HV11FDC
 900 lbs [410 kg]



**THE ORIGINAL
 & TRUSTED NAME
 IN VACUUM LIFTING
 EQUIPMENT**



908 West Main - P.O. Box 368
 Laurel, Montana 59044 U.S.A.
 406.628.8231 (phone)
 406.628.8354 (fax)

800.548.7341
www.WPG.com



Products are manufactured under an
 ISO 9001 quality management system

Wood's Powr-Grip products are sold
 through authorized dealers.

	MRTALP611LDC	MRTALP6HV11FDC
Standard Pad Spread*	Minimum Width: 12" [305 mm] Maximum Width: 52-3/4" [1340 mm] Minimum Length: 35-1/2" [902 mm] Maximum Length: 102" [2593 mm]	Minimum Width: 11" [280 mm] Maximum Width: 51-3/4" [1315 mm] Minimum Length: 34-1/2" [877 mm] Maximum Length: 101" [2568 mm]
Number / Size of Pads (please specify standard or low-marking rubber)	6 / 11" [28 cm] dia. lipped vacuum pads	6 / 10" [25 cm] dia. lipped vacuum pads, with closed cell foam rings
Load Capacity* (On smooth, nonporous surfaces. Please contact us for recommendations on other surfaces.)	1100 lbs [500 kg]	900 lbs [410 kg]
* See Frame Configurations and Capacities		
Unit Weight	213 lbs [97 kg]	
Standard Operating Power	12 volts DC, 5 amps	
Load Movement	Manual rotation, 180° edgewise, with automatic latching every 30° Assisted manual tilt, 90° between upright and flat, with automatic latching in upright position	
Profile Thickness	8" [203 mm] (does not include load)	
Standard Features	Adjustable-position lift spool Dual vacuum system Low vacuum warning buzzer Green lift light On-board battery* and charger (*high-capacity battery for MRTALP6HV11FDC) Battery energy gauge Vacuum gauges Vacuum line filters Vacuum reserve tanks Spring-mounted vacuum pads (Re)movable vacuum pad mounts Vacuum pad extension arms Blow-off for quick release	

Environmental conditions can affect product performance and longevity; consult the product instructions on
 www.WPG.com or contact a Technical Sales Representative for more information.
 Based on product information at time of publication.

Available Options

Vertical lift bar (LB10VLB)
 Extensions for movable pad mounts (CM6MEVL)
 Alternative vacuum pads:
 (Specifications not as listed above.
 Please contact us for more information.)
 9" [23 cm] diameter vacuum pad (VPFS9)
 10" [25 cm] dia. concave vacuum pad (G0750)
 Long extension arms (CF5LEAO)
 Remote control system (EO8RC1)
 Pad frame T-arm assemblies (CF13CEO)
 Alternative vacuum pad materials, including low-marking, temperature
 resistant and coated surface applications

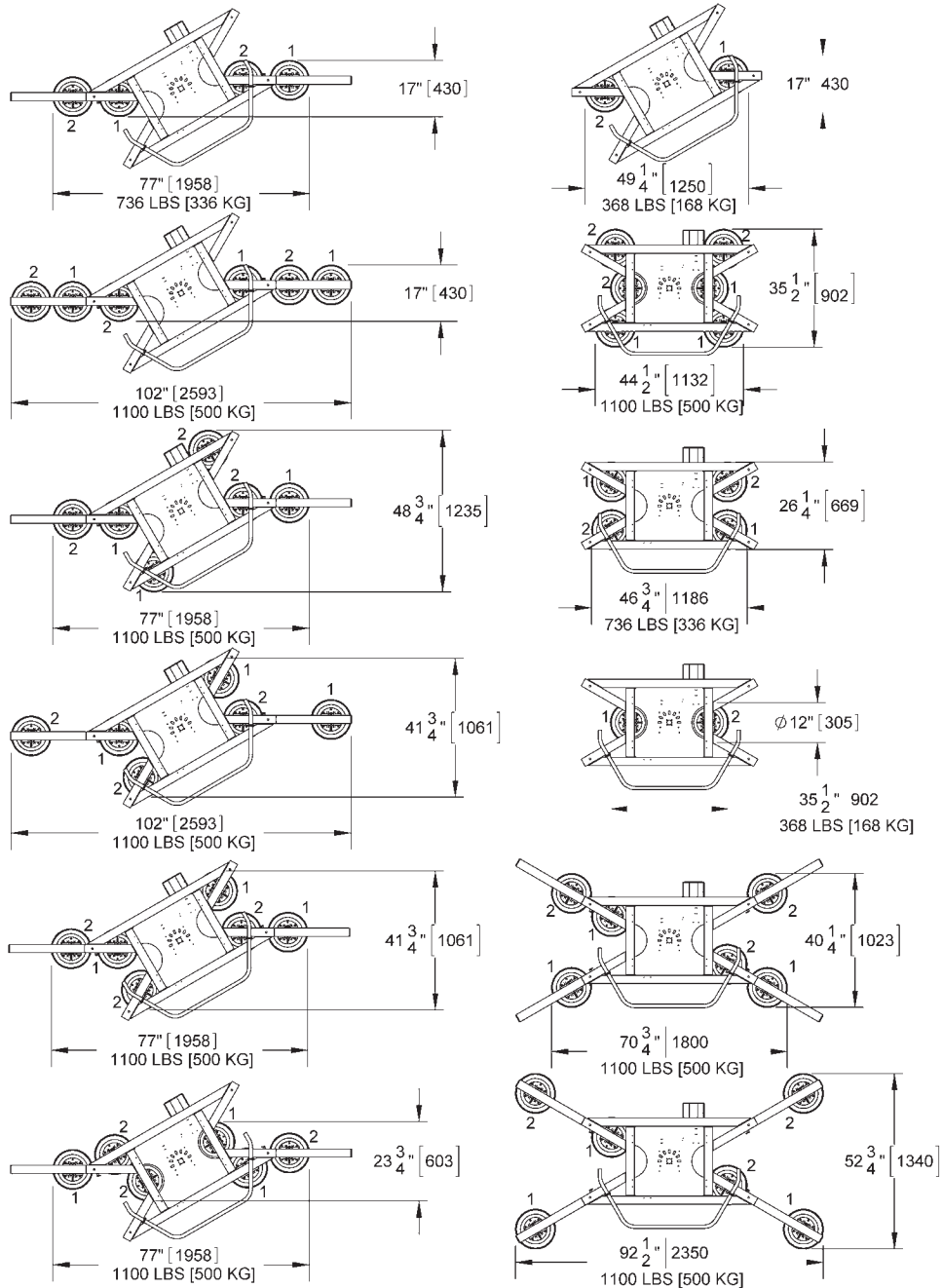
Design Standards

(See www.WPG.com for more information.)

ASME B30.20-2006

(BTH-1 Design Category "B", Service Class "0")

CE



FRAME CONFIGURATIONS AND CAPACITIES