

SUSPENSION: 25,000 LB AIR RIDE

AXLE: 25,000 LB

BRAKES: 16.5 x 7"

TIRES: 255/70R22.5 ROADMASTER

WHEELS: 8.25 x 22.5" STEEL

PAINT: \_\_\_\_\_

SAFETY: STRIPE

ABS: N/A

LIGHTS: LED

5-POSITION NECK ADJUSTMENT

CHAIN SLOTS ON 2'

BENT D-RINGS 7 PER SIDE OF BED

REMOVABLE OUTRIGGERS

PULLOUT FRONT OUTRIGGERS

FRONT STEEL RAMPS w/ GROUSER BARS

ADJ. RIDE HEIGHT +/- 2"

BUCKET WELL IN REAR OF BED w/ 1/4" PLATE

BOOM WELL IN WHEEL AREA w/ LOWERED FIRST CROSS MEMBER

STROBE LIGHTS w/ BATTERY BACKUP

LOWERED BOLSTERS

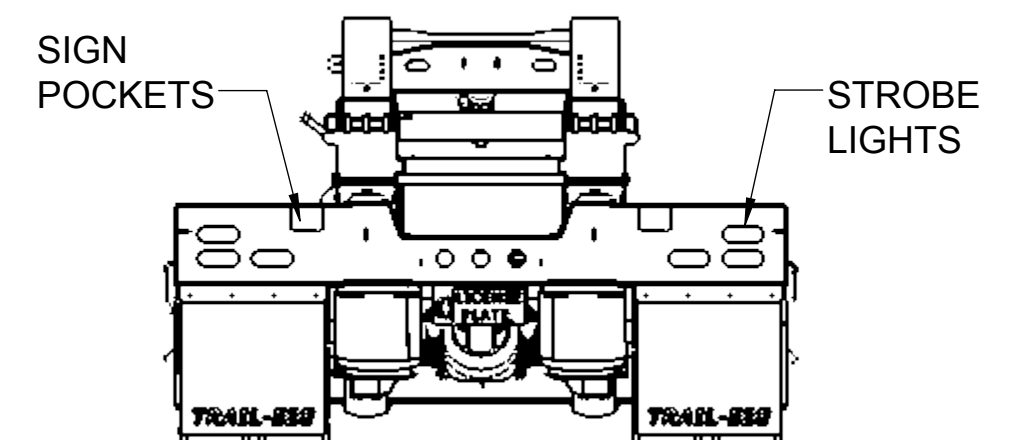
FLAG HOLDERS FRONT AND REAR

SIGN POCKETS AT REAR OF TRAILER

AIR LIFT REAR AXLE

DUMP VALVE

DOCUMENT HOLDER



**TRAIL-EZE Trailers**

TITLE: TRAILER OVERALL

PROPRIETARY AND CONFIDENTIAL  
THE INFORMATION CONTAINED IN THIS  
DRAWING IS THE SOLE PROPERTY OF  
DAKOTA MFG. ANY REPRODUCTION IN  
PART OR AS A WHOLE WITHOUT THE  
WRITTEN PERMISSION OF DAKOTA MFG IS  
PROHIBITED.

MATERIAL:  
MODEL: TE102DGL  
DRAWN: 10/12/2016 MH  
REVISED:

COMMENTS:

DWG NO. 22210A01

REV

SN:

Wt: 18267.11

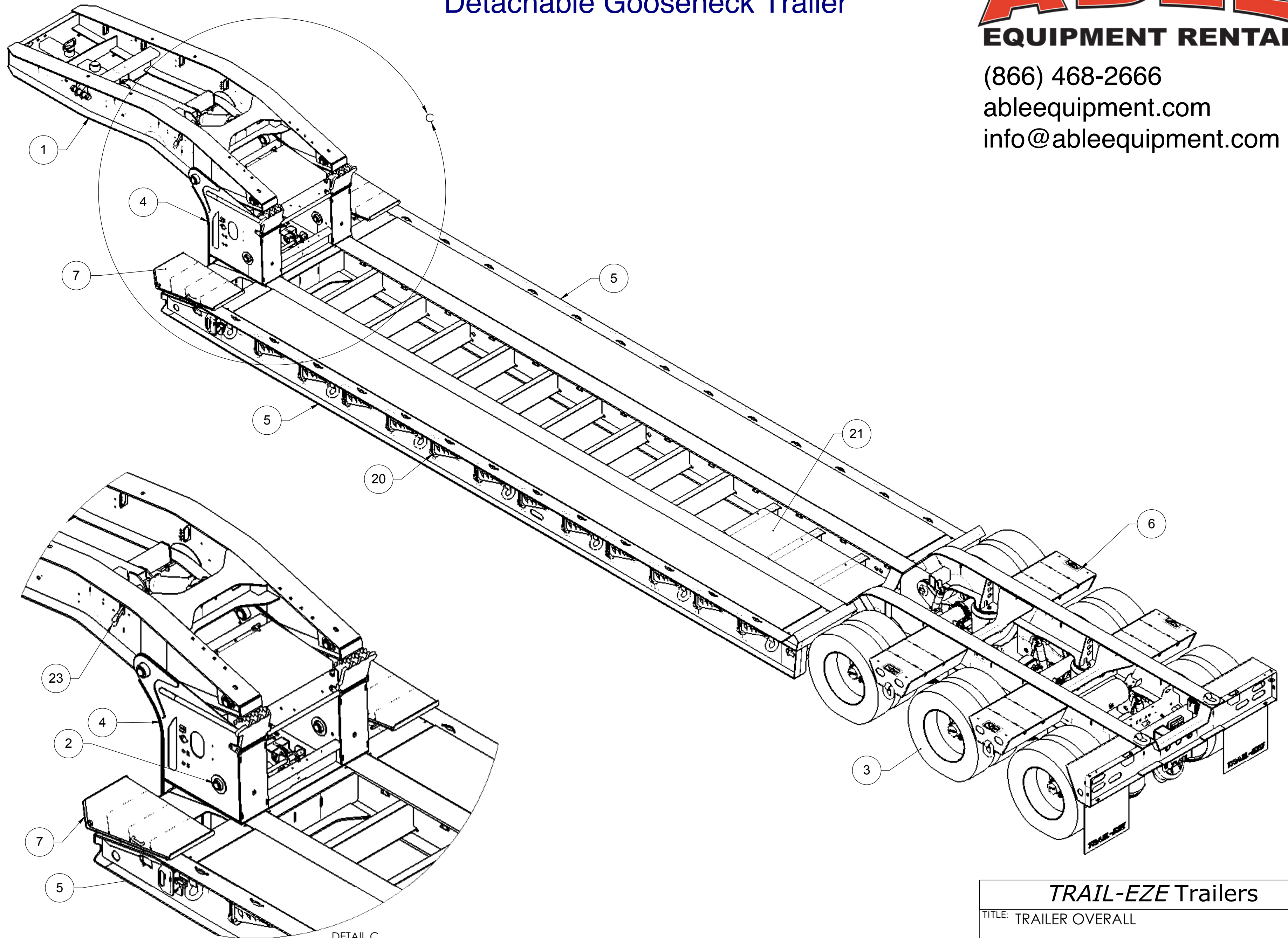
SHEET 1 OF 2

# Trail-Eze TE102DGL Detachable Gooseneck Trailer

# ABLE

## EQUIPMENT RENTAL

(866) 468-2666  
 ableequipment.com  
 info@ableequipment.com



DETAIL C  
SCALE 1 : 18

### TRAIL-EZE Trailers

TITLE: TRAILER OVERALL

PROPRIETARY AND CONFIDENTIAL  
 THE INFORMATION CONTAINED IN THIS  
 DRAWING IS THE SOLE PROPERTY OF  
 DAKOTA MFG. ANY REPRODUCTION IN  
 PART OR AS A WHOLE WITHOUT THE  
 WRITTEN PERMISSION OF DAKOTA MFG IS  
 PROHIBITED.

MATERIAL:  
 MODEL: TE102DGL  
 COMMENTS:  
 DRAWN: 10/12/2016 MH  
 REVISED:

DWG NO.	22210A01	REV
SN:		
Wt: 18267.11		SHEET 2 OF 2